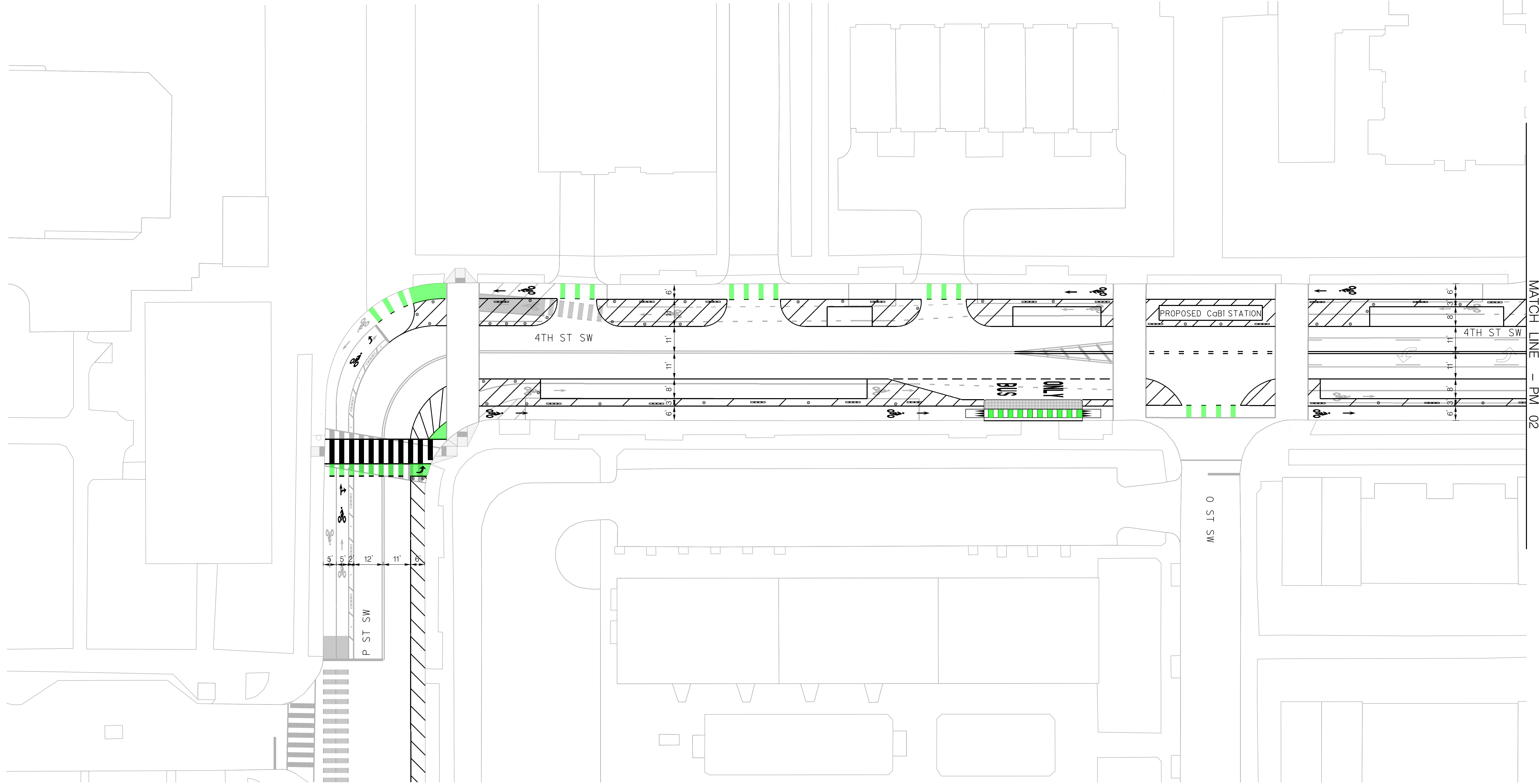


STATE	CONTRACT NO.	SHEET NO.	TOTAL SHEETS
D.C.	DCKA-2017-T-0122	1	5



MATCH LINE - PM 02

D.C. DEPARTMENT OF TRANSPORTATION  
 PLANNING AND SUSTAINABILITY DIVISION  
 ACTIVE TRANSPORTATION PROGRAM

4TH ST SW BICYCLE FACILITIES

PAVEMENT MARKING AND SIGNING  
 LAYOUT PLANS

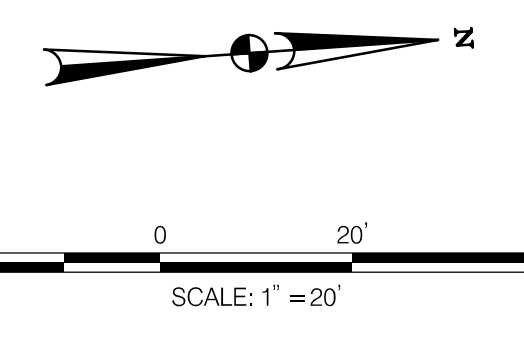
PROJECT ENG. BLT  
 DESIGNED BY EO  
 CHECKED BY BLT  
 DRAWN BY EO  
 PROJECT MGR. BLT

DIVISION CHIEF

DATE June 21, 2022

FILE

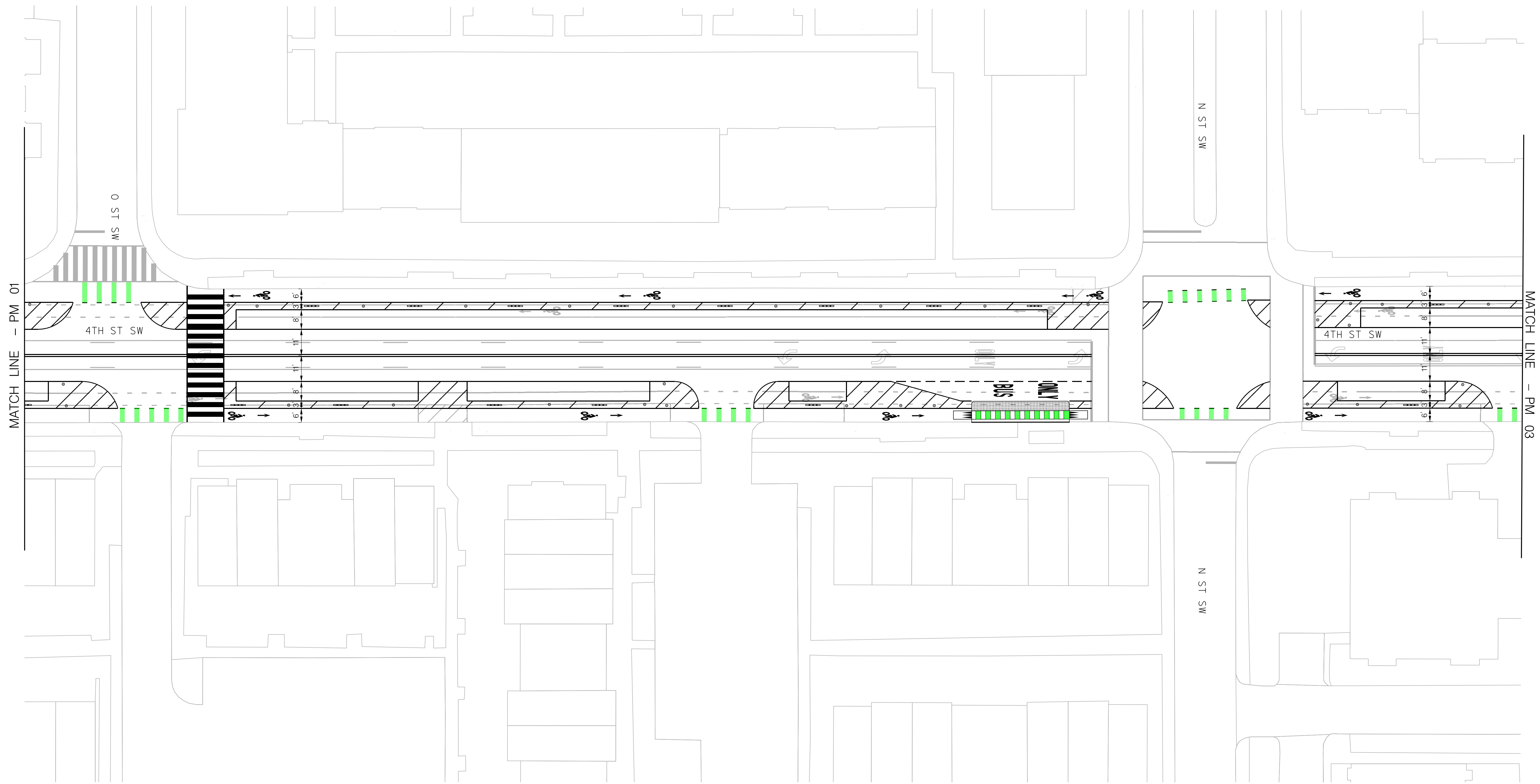
SHEET 1 OF 5



NO.	DESCRIPTION	NAME	DATE

REVISIONS

STATE	CONTRACT NO.	SHEET NO.	TOTAL SHEETS
D.C.	DCKA-2017-T-0122	2	5



D.C. DEPARTMENT OF TRANSPORTATION  
 PLANNING AND SUSTAINABILITY DIVISION  
 ACTIVE TRANSPORTATION PROGRAM

4TH ST SW BICYCLE FACILITIES

PAVEMENT MARKING AND SIGNING  
 LAYOUT PLANS

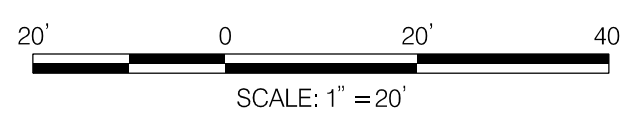
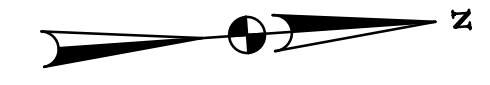
PROJECT ENG. BLT  
 DESIGNED BY EO  
 CHECKED BY BLT  
 DRAWN BY EO  
 PROJECT MGR. DLL

DIVISION CHIEF

DATE June 21, 2022

FILE

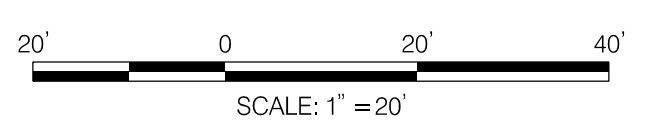
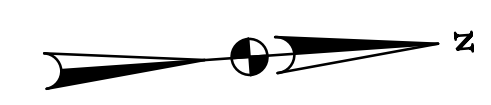
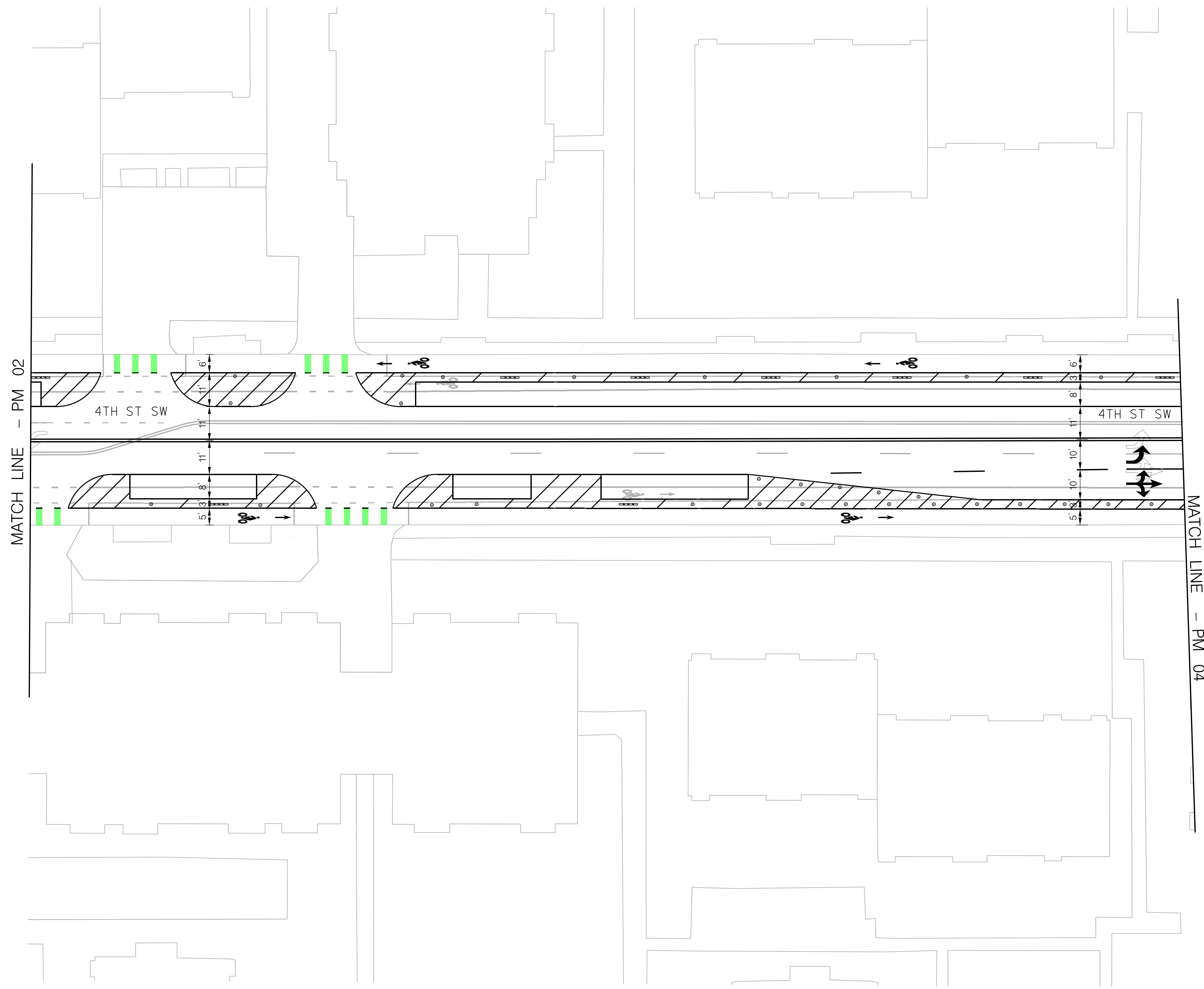
SHEET 2 OF 5



NO.	DESCRIPTION	NAME	DATE

REVISIONS

STATE	CONTRACT NO.	SHEET NO.	TOTAL SHEETS
D.C.	DCKA-2017-T-0122	3	5



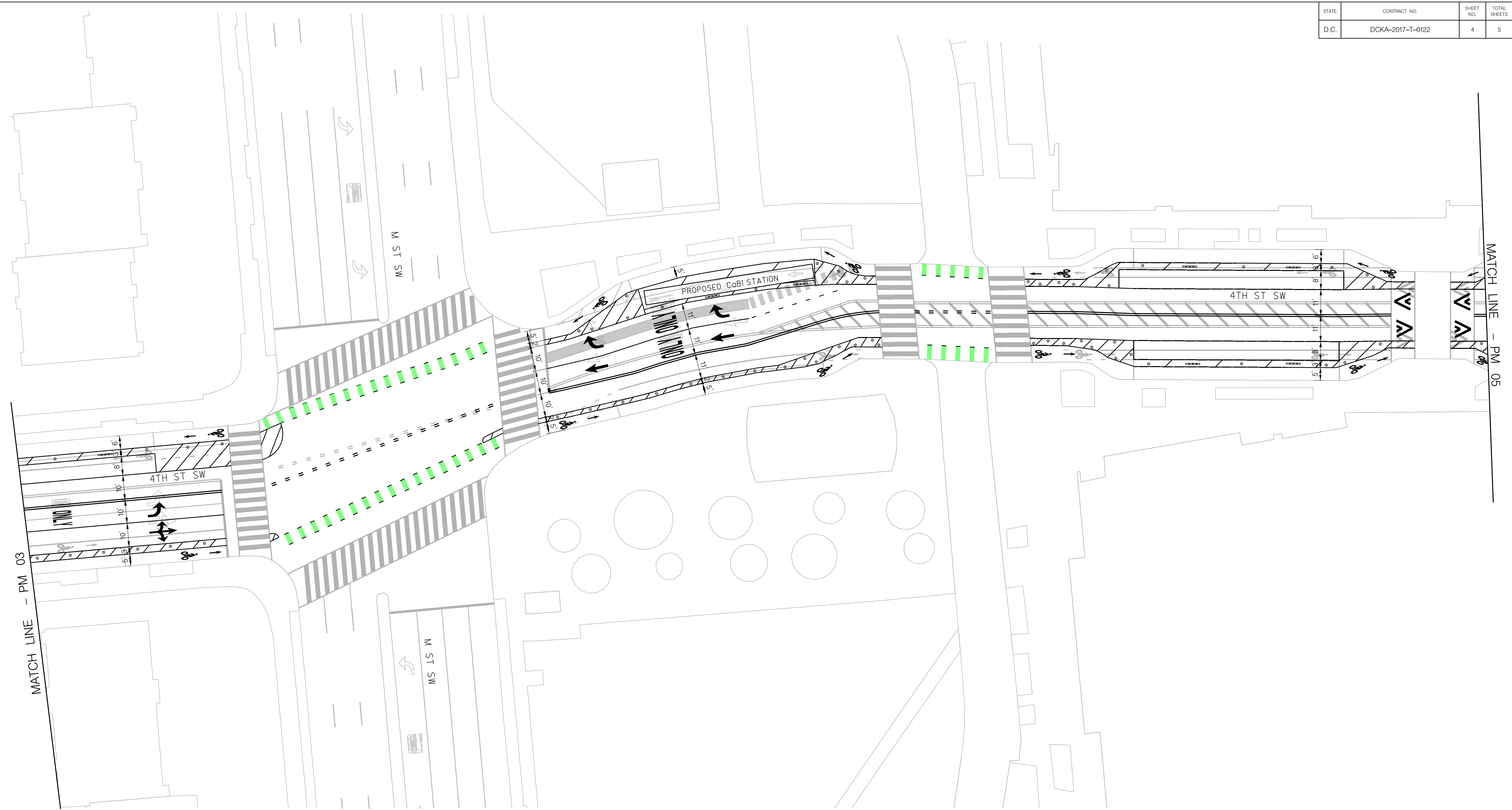
NO.	DESCRIPTION	NAME	DATE

D.C. DEPARTMENT OF TRANSPORTATION  
PLANNING AND SUSTAINABILITY DIVISION  
ACTIVE TRANSPORTATION PROGRAM

4TH ST SW BICYCLE FACILITIES

PAVEMENT MARKING AND SIGNING  
LAYOUT PLANS

PROJECT ENG. <u>BLT</u>	DIVISION CHIEF
DESIGNED BY <u>EO</u>	DATE <u>June 21, 2022</u>
CHECKED BY <u>BLT</u>	FILE <u>2022-06-21-11-41</u>
DRAWN BY <u>EO</u>	SHEET <u>3</u> OF <u>5</u>
PROJECT MGR. <u>DLL</u>	



D.C. DEPARTMENT OF TRANSPORTATION  
PLANNING AND SUSTAINABILITY DIVISION  
ACTIVE TRANSPORTATION PROGRAM

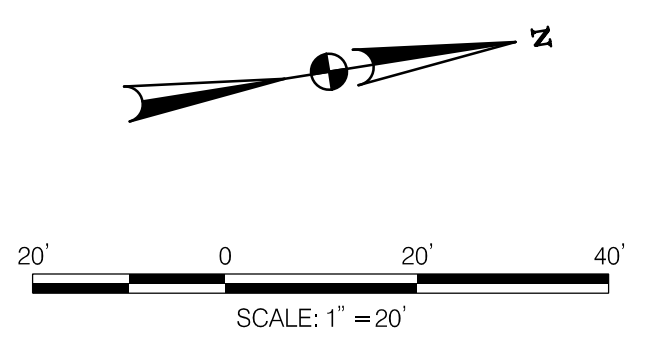
---

4TH ST SW BICYCLE FACILITIES

---

PAVEMENT MARKING AND SIGNING  
LAYOUT PLANS

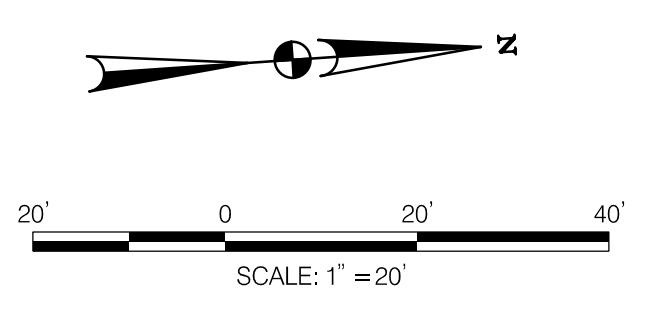
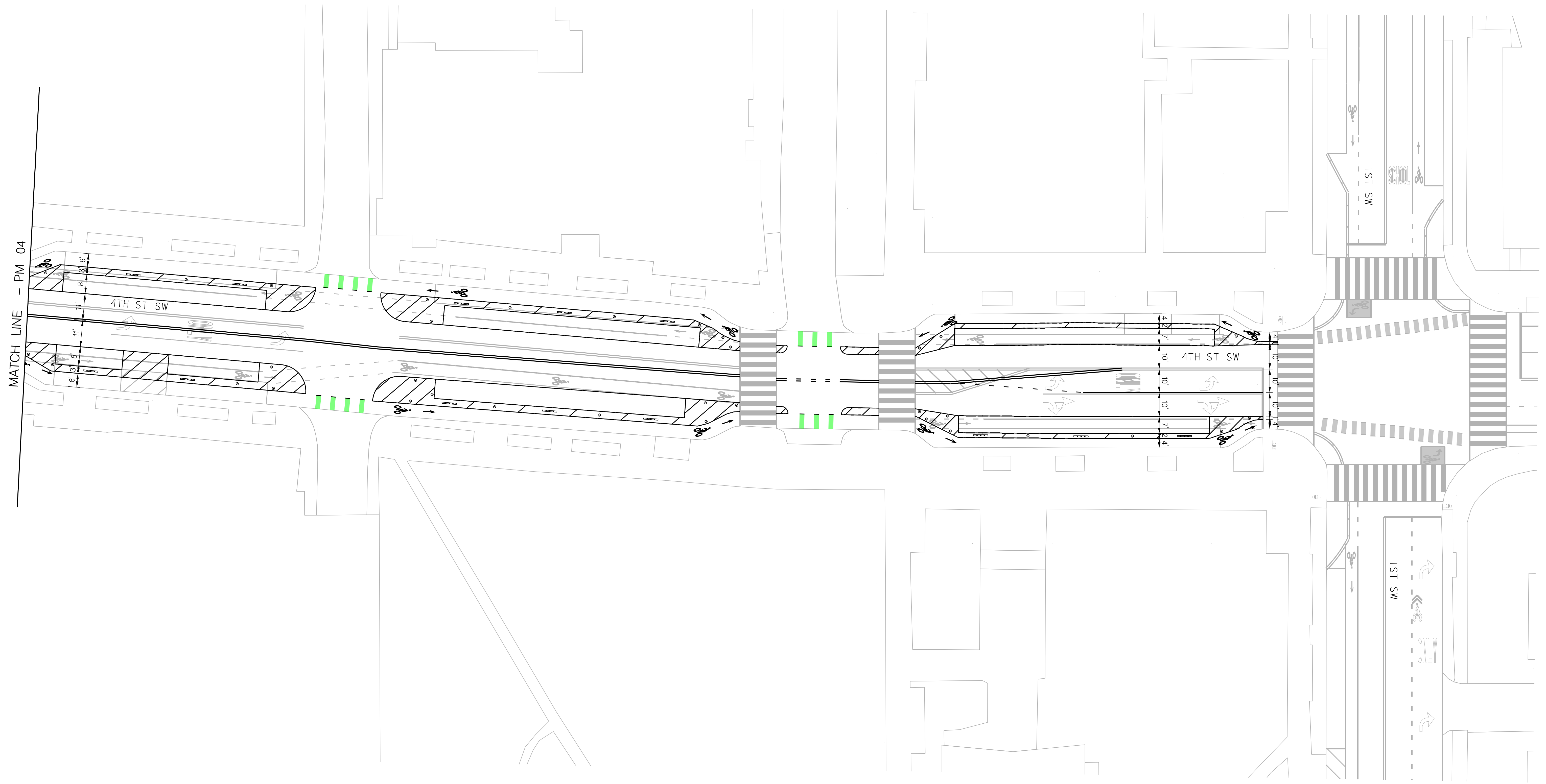
PROJECT ENG. <u>BLT</u>	DESIGNED BY <u>EO</u>
CHECKED BY <u>BLT</u>	DRAWN BY <u>EO</u>
PROJECT MGR. <u>BLT</u>	DIVISION CHIEF
DATE <u>June 21, 2022</u>	FILE <u>2022062101</u>
SHEET <u>4</u> OF <u>5</u>	



NO.	DESCRIPTION	NAME	DATE

REVISIONS

STATE	CONTRACT NO.	SHEET NO.	TOTAL SHEETS
D.C.	DCKA-2017-T-0122	5	5



NO	DESCRIPTION	NAME	DATE

D.C. DEPARTMENT OF TRANSPORTATION  
 PLANNING AND SUSTAINABILITY DIVISION  
 ACTIVE TRANSPORTATION PROGRAM

4TH ST SW BICYCLE FACILITIES

PAVEMENT MARKING AND SIGNING  
 LAYOUT PLANS

PROJECT ENG. BLT  
 DESIGNED BY EO  
 CHECKED BY BLT  
 DRAWN BY EO  
 PROJECT MGR. DLL

DIVISION CHIEF

DATE June 21, 2022

FILE 1021022001

SHEET 5 OF 5