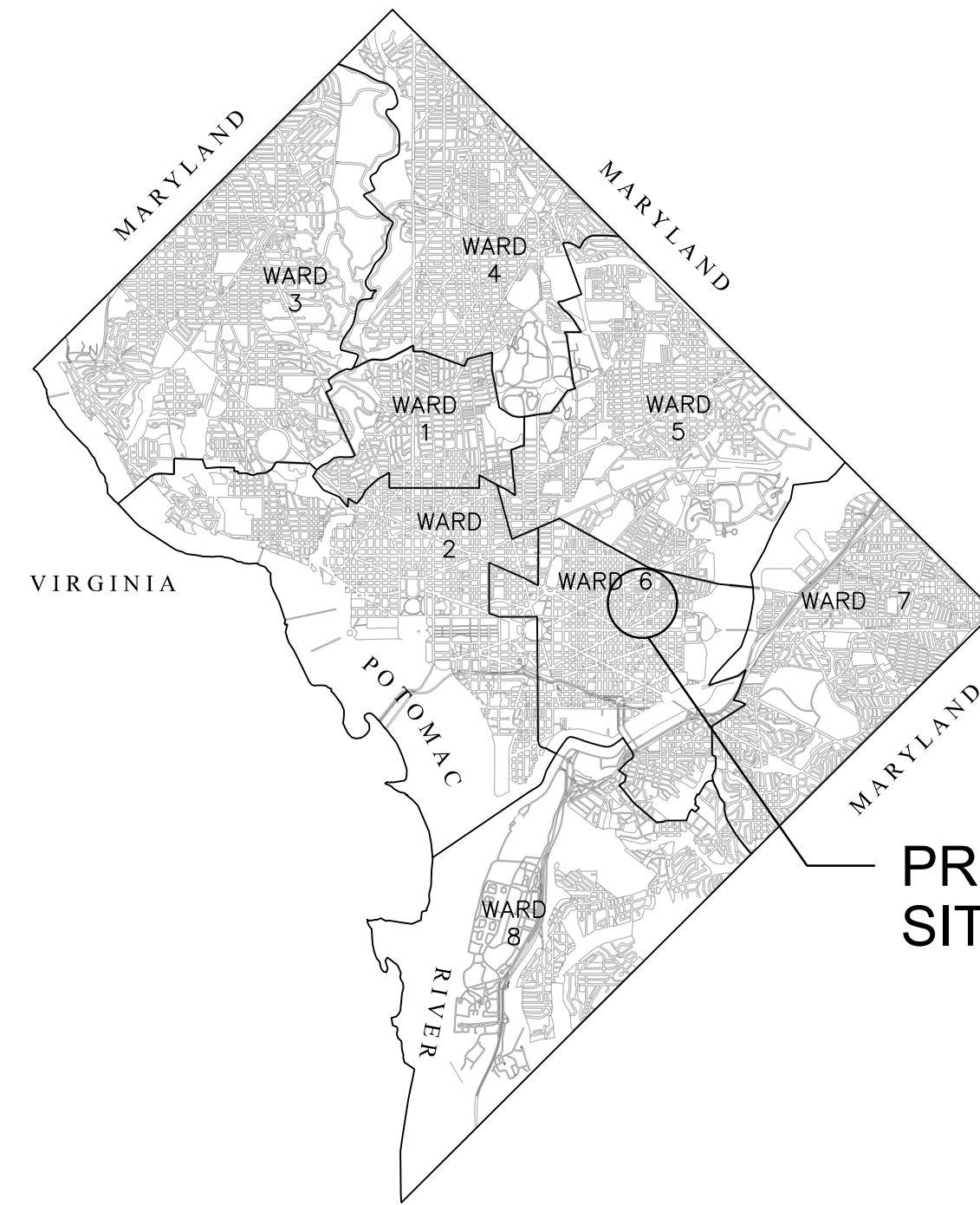


DISTRICT OF COLUMBIA DEPARTMENT OF TRANSPORTATION



INDEX OF SHEETS

1. TITLE SHEET
2. PROJECT NOTES & SIGN SUMMARY SHEET
3. PAVEMENT MARKING DESIGN & QUANTITIES
- 4-9. PAVEMENT MARKING & SIGNING PLANS



PROJECT SITE

CITY MAP

TENNESSEE AVENUE NE FROM EAST CAPITOL STREET TO 15TH STREET NE

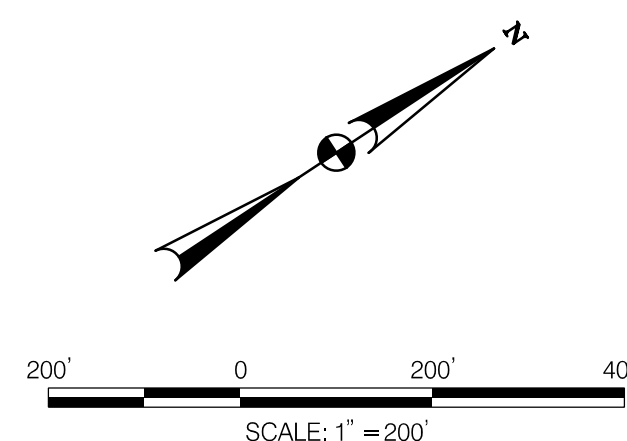
BIKE INFRASTRUCTURE IMPROVEMENT PLANS

BEGIN PROJECT



END PROJECT

**FINAL PLANS
DECEMBER 2020**



NO.	DATE	DESCRIPTION

REVISIONS

D.C. DEPARTMENT OF TRANSPORTATION
PLANNING AND SUSTAINABILITY DIVISION
ACTIVE TRANSPORTATION PROGRAM

TENNESSEE AVE. NE
ADVISORY BIKE LANE PLANS

TITLE SHEET

PROJECT ENG. DAG
DESIGNED BY MSL
CHECKED BY DLL
DRAWN BY MSL
PROJECT MGR. DLL
DIVISION CHIEF
DATE DECEMBER 2020
FILE title_tennessee_ave_ne.dgn
SHEET 1 OF 9

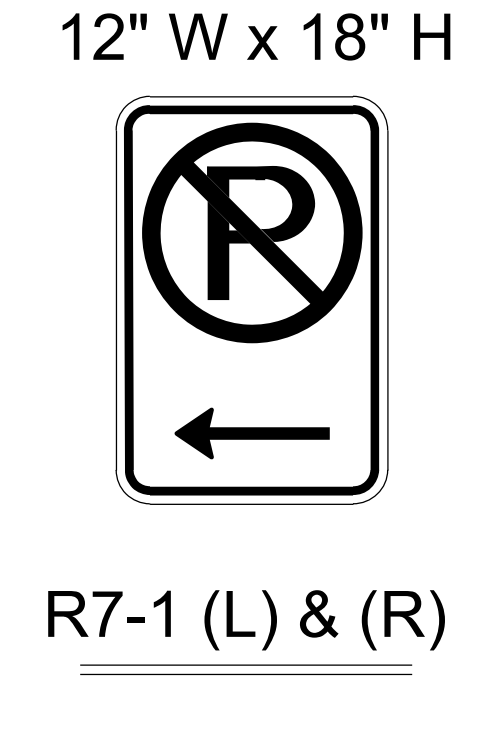
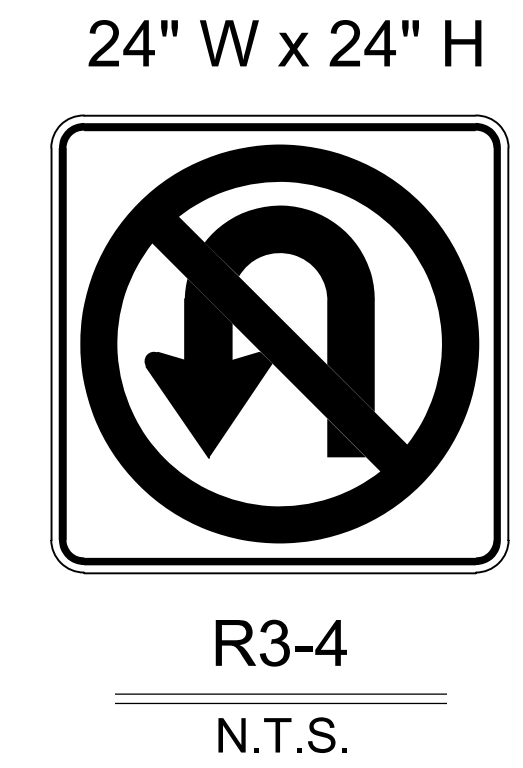
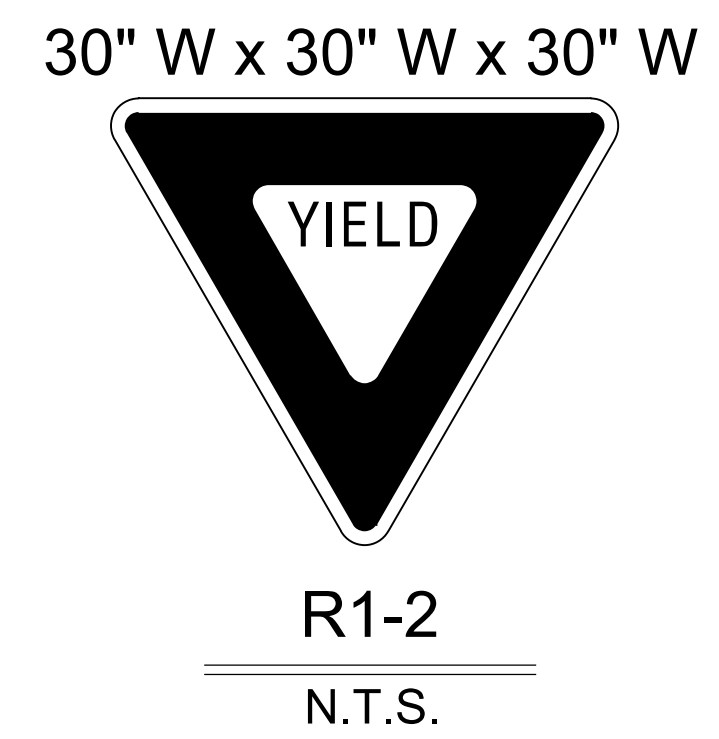
PROJECT NOTES:

GENERAL NOTES:

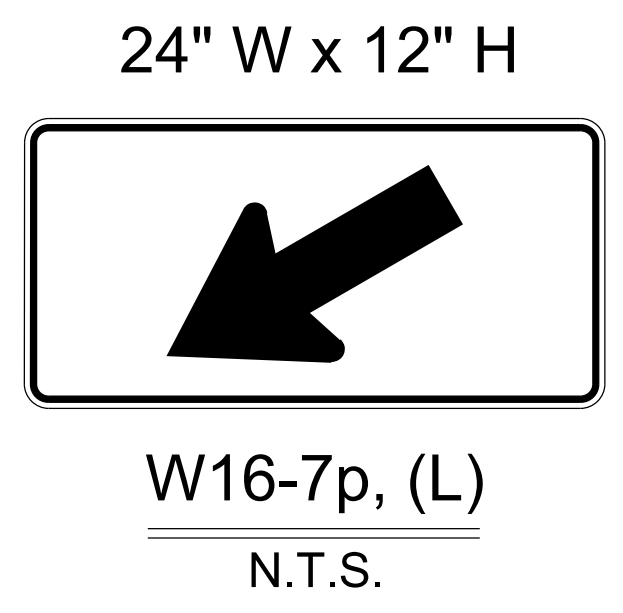
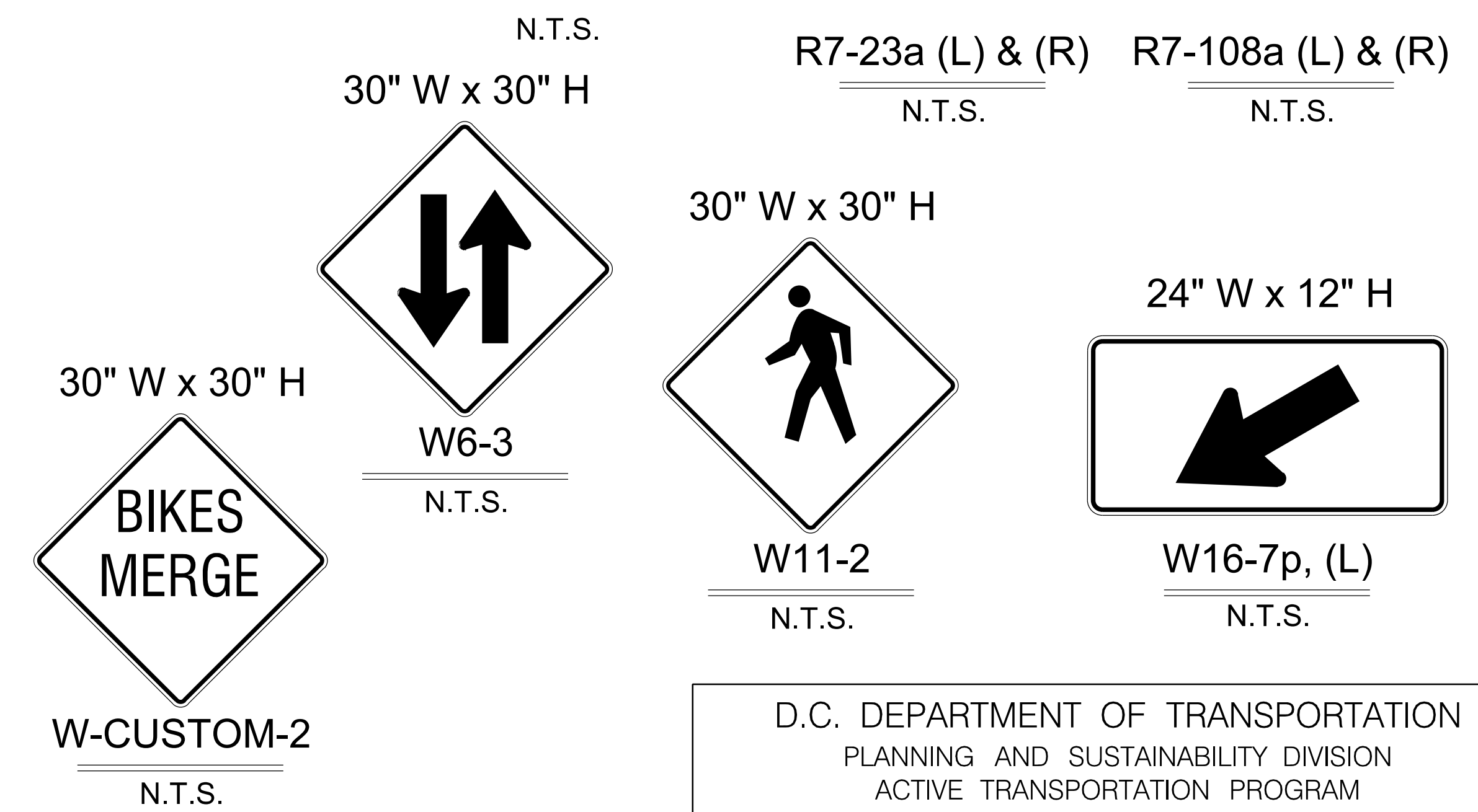
- ALL CONSTRUCTION MATERIALS AND PROCEDURES SHALL BE IN ACCORDANCE WITH THE STANDARD SPECIFICATIONS FOR HIGHWAYS AND STRUCTURES (GOLD BOOK) DATED 2013, ISSUED BY THE DISTRICT OF COLUMBIA DEPARTMENT OF TRANSPORTATION.
 - ALL WORK SHALL BE DONE IN ACCORDANCE WITH THE DESIGN & ENGINEERING MANUAL (DEM) DATED JANUARY 2019.
 - PER AMERICANS WITH DISABILITIES ACT ACCESSIBILITY GUIDELINES (ADAAG), ALL SIDEWALK CROSS SLOPES SHALL NOT EXCEED 2%.
- PAVEMENT MARKING & SIGNING NOTES:
- ALL STRIPING AND SIGN WORK SHALL BE IN ACCORDANCE WITH THE STANDARD SPECIFICATIONS FOR HIGHWAYS AND STRUCTURES (GOLD BOOK) DATED 2013, DESIGN & ENGINEERING MANUAL (DEM) DATED JANUARY 2019, AND THE 2009 MANUAL ON UNIFORM TRAFFIC CONTROL (MUTCD) REQUIREMENTS.
 - PAVEMENT MARKINGS ON ASPHALT PAVEMENT SHALL BE THERMOPLASTIC TYPE.
 - ALL EXISTING PAVEMENT MARKINGS MAY NOT BE SHOWN. ALL EXISTING PAVEMENT MARKINGS THAT CONFLICT WITH PROPOSED PAVEMENT MARKINGS SHALL BE ERADICATED BY A METHOD APPROVED BY DDOT.
 - NOT ALL DRIVEWAYS HAVE BEEN LOCATED FOR THIS STRIPING AND SIGNAGE PLAN. THE CONTRACTOR SHALL BE RESPONSIBLE FOR FIELD VERIFYING ALL DRIVEWAY LOCATIONS PRIOR TO BEGINNING STRIPING WORK.

- NOT ALL FIRE HYDRANTS HAVE BEEN LOCATED FOR THIS STRIPING PLAN. THE CONTRACTOR SHALL BE RESPONSIBLE FOR FIELD VERIFYING FIRE HYDRANT LOCATIONS AND STRIPING NO PARKING ZONES FOR 10 FEET ON EITHER SIDE OF THE FIRE HYDRANTS WHERE THEY ARE LOCATED ALONG A PARKING LANE. SEE TYPICAL DDOT TYPICAL LANE STRIPING DETAIL FOR TYPICAL FIRE HYDRANT TREATMENT.
- IF A CROSSWALK IS PRESENT, PARKING SPACES SHALL BE STRIPED WITH A MINIMUM CLEARANCE OF 25 FEET FROM THE CROSSWALK UNLESS NOTED OTHERWISE.
- THE CONTRACTOR SHALL COORDINATE WITH THE DDOT FIELD OPERATIONS DIVISION (FOD), SIGNS AND MARKING DIVISION, REGARDING THE INTENSITY AND REFLECTIVITY OF SIGNS TO BE INSTALLED. THE CONTACT FOR THIS WORK IS OGECHIELEKWACHI, PHONE NUMBER: 202-369-7483.
- PROPOSED SIGNS SHALL BE INSTALLED SO THAT NO PORTION OF THE SIGN PANEL OVERHANGS ADJACENT ROADWAY PAVEMENT.
- PROPOSED SIGN POSTS SHALL BE LOCATED A MINIMUM OF 2 FEET BEHIND FACE OF CURB. IF LOCATED IN OR ADJACENT TO SIDEWALKS, A 32" MINIMUM CLEAR AND 48" PREFERRED PASSING SPACE ON EXISTING AND PROPOSED SIDEWALKS SHALL BE MAINTAINED.
- ALL TRAFFIC SIGNS SHALL BE MOUNTED ON A STANDARD DDOT BREAKAWAY TYPE METAL SIGN POST.
- PROPOSED SIGNS AT NEW LOCATIONS SHALL BE INSTALLED SO THEY DO NOT BLOCK THE VISIBILITY OF ANY EXISTING SIGNS OR SIGNALS.

- PROPOSED SIGNS AND POSTS SHALL BE CLEAR OF EXISTING FIRE HYDRANTS, SURFACE UTILITY, AND OVERHEAD UTILITY EQUIPMENT A MINIMUM OF 10 FEET.
- FOR NEW POST INSTALLATION, THE CONTRACTOR SHALL VERIFY THAT THERE ARE NO CONFLICTING UNDERGROUND OR OVERHEAD UTILITIES.
- SIGNS MOUNTED TO EXISTING LIGHT, SIGNAL OR UTILITY POLES SHALL BE FASTENED WITH A MANUFACTURED STEEL BANDING SYSTEM. POLES SHALL NOT BE DRILLED DIRECTLY. THE CONTRACTOR SHALL SUBMIT MANUFACTURER INFORMATION ON THE BANDING SYSTEM TO DDOT FOR APPROVAL PRIOR TO INSTALLATION.
- THE CONTRACTOR SHALL FOLLOW MUTCD AND DDOT STANDARD DETAILS AND PROCEDURES FOR MAINTENANCE OF TRAFFIC FOR STRIPING AND CONCRETE WORK. THE CONTRACTOR SHALL BE RESPONSIBLE FOR MAINTAINING A PROPER WORK ZONE UNTIL ALL WORK IS COMPLETED.



Sign Designation	MUTCD/DDOT	Sign Type	Use	Sign or Plaque Description	Quantity	Panel Dimensions (IN)		Panel Area	Total Area (SF)
						W	H		
R1-1	MUTCD	Regulatory	Bicycle	Stop	2	18	18	2.25	4.50
R1-2	MUTCD	Regulatory	Motor Vehicle	Yield	2	30	30	6.25	12.50
R1-6a	MUTCD	Regulatory	Motor Vehicle	Stop For Pedestrians in Crosswalk	4	12	36	3.00	12.00
R1-3p (MOD)	MUTCD	Regulatory	Bicycle	Stop Sign Additional Sign	2	18	6	0.75	1.50
R3-4	MUTCD	Regulatory	Motor Vehicle	No U Turn	1	24	24	4.00	4.00
R3-17	MUTCD	Regulatory	Motor Vehicle	Bike Lane	8	24	18	3.00	24.00
R7-1 (L)	DDOT	Regulatory	Motor Vehicle	No Parking Anytime (Left Arrow)	3	12	18	1.50	4.50
R7-1 (R)	DDOT	Regulatory	Motor Vehicle	No Parking Anytime (Right Arrow)	3	12	18	1.50	4.50
R7-23a	CUSTOM	Regulatory	Motor Vehicle	45 Degree Back-In Parking	3	12	18	1.50	4.50
R7-23a (R)	CUSTOM	Regulatory	Motor Vehicle	45 Degree Back-In Parking (Right Arrow)	1	12	18	1.50	1.50
R7-23a (L)	CUSTOM	Regulatory	Motor Vehicle	45 Degree Back-In Parking (Left Arrow)	1	12	18	1.50	1.50
R7-108a	DDOT	Regulatory	Motor Vehicle	Two Hour Parking	1	12	18	1.50	1.50
R7-108a (L)	DDOT	Regulatory	Motor Vehicle	Two Hour Parking (Left Arrow)	3	12	18	1.50	4.50
R7-108a (R)	DDOT	Regulatory	Motor Vehicle	Two Hour Parking (Right Arrow)	3	12	18	1.50	4.50
R-CUSTOM-1	CUSTOM	Regulatory	Bicycle	Except Bicycles	1	24	12	2.00	2.00
R-CUSTOM-2	CUSTOM	Regulatory	Motor Vehicle	Yield to Bikes When Passing	1	24	12	2.00	2.00
W-CUSTOM-1	CUSTOM	Warning	Motor Vehicle	Raised Crosswalk	2	24	12	2.00	4.00
W-CUSTOM-2	CUSTOM	Warning	Bicycle	Bikes Merge	1	30	30	6.25	6.25
W6-3	MUTCD	Warning	Motor Vehicle	Two-Way Travel	1	30	30	6.25	6.25
W11-2	MUTCD	Warning	Motor Vehicle	Pedestrian Crossing	5	30	30	6.25	31.25
W16-7p	MUTCD	Warning	Motor Vehicle	Left Arrow	5	24	12	2.00	10.00
						Total:			147.25



D.C. DEPARTMENT OF TRANSPORTATION
PLANNING AND SUSTAINABILITY DIVISION
ACTIVE TRANSPORTATION PROGRAM

TENNESSEE AVE. NE
(LOCATION: EAST CAPITOL ST
NE TO 15TH ST NE)

PROJECT ENG. DAG
DESIGNED BY MJB
CHECKED BY DLL
DRAWN BY MJB
PROJECT MGR. DLL

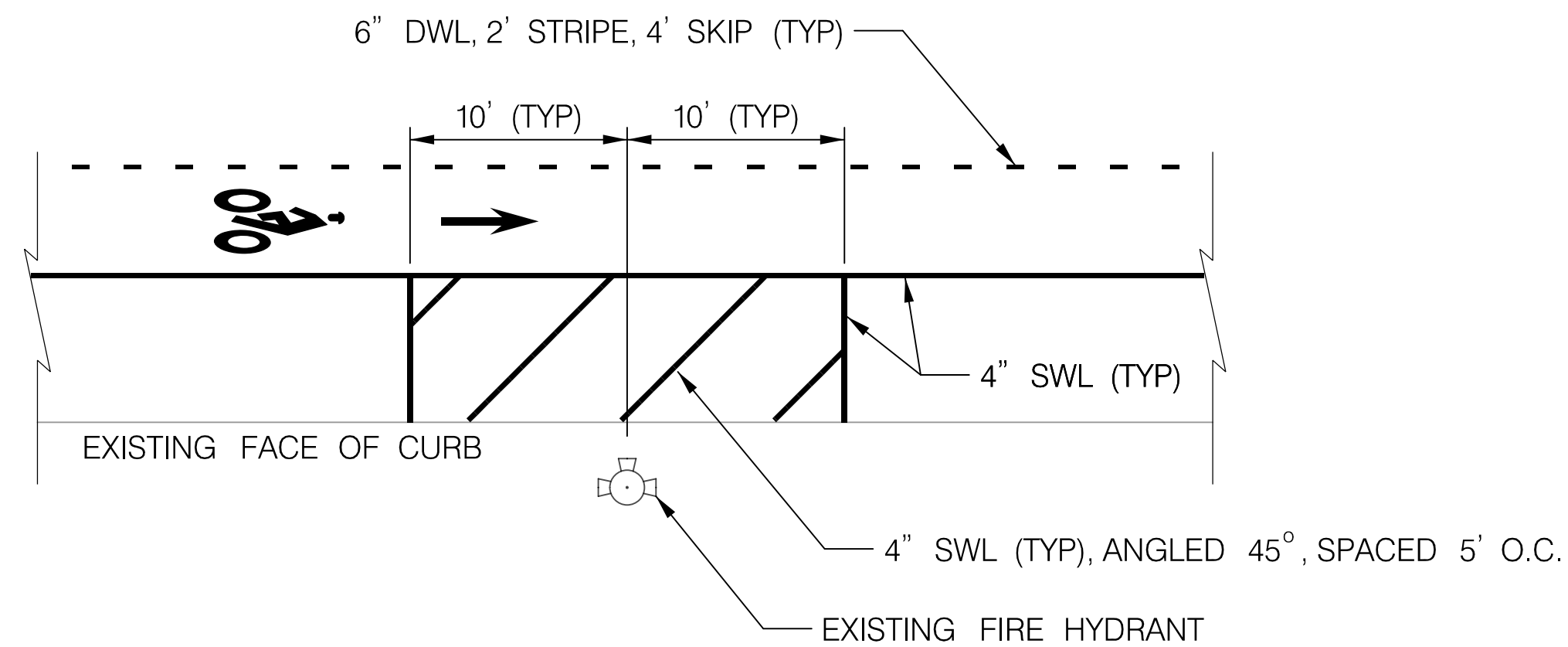
DIVISION CHIEF

DATE DECEMBER 2020
FILE sign_schedule...sgn
SHEET 2 OF 9

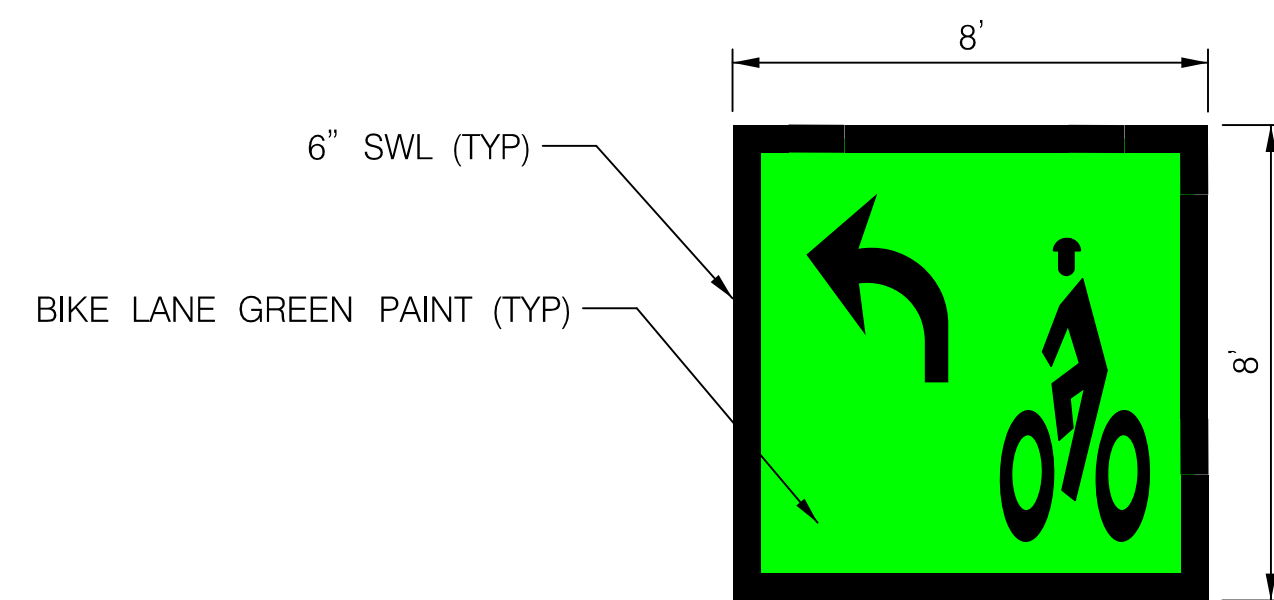


NO.	DESCRIPTION	NAME	DATE

PAVEMENT MARKING QUANTITIES



ADVISORY BIKE LANE FIRE HYDRANT STRIPING DETAIL
NOT TO SCALE



TWO-STAGE LEFT-TURN BOX DETAIL
NOT TO SCALE

NOTE:

1. A 3-COAT SYSTEM SHALL BE USED FOR THE INSTALLATION OF THE ENNIS FLINT RIDE-A-WAY PRODUCT. ALL MANUFACTURER APPLICATION INSTRUCTIONS SHALL BE FOLLOWED.

ITEM	QUANTITY	UNIT
THERMOPLASTIC PAVEMENT MARKINGS - STRIPING		
4" WHITE THERMOPLASTIC PAVEMENT MARKING - SOLID	4640	LF
4" WHITE THERMOPLASTIC PAVEMENT MARKING - SOLID (ANGLED 45 DEG, NO PARKING ZONE)	1100	LF
4" WHITE THERMOPLASTIC PAVEMENT MARKING - DASHED (2' STRIPE, 4' SKIP)*	50	LF
4" YELLOW THERMOPLASTIC PAVEMENT MARKING - DOUBLE SOLID	950	LF
4" YELLOW THERMOPLASTIC PAVEMENT MARKING - SOLID	120	LF
4" YELLOW THERMOPLASTIC PAVEMENT MARKING - SOLID (ANGLED 45 DEG, NO PARKING ZONE)	40	LF
6" WHITE THERMOPLASTIC PAVEMENT MARKING - SOLID	1020	LF
6" WHITE THERMOPLASTIC PAVEMENT MARKING - DASHED (2' STRIPE, 4' SKIP)*	940	LF
12" WHITE THERMOPLASTIC PAVEMENT MARKING - SOLID (STOP BAR)	130	LF
24" WHITE THERMOPLASTIC PAVEMENT MARKING - SOLID (CROSSWALK MARKING)	820	LF
WHITE THERMOPLASTIC PAVEMENT MARKING - SYMBOLS		
BIKE LANE SYMBOL	35	EA
SHARED LANE SYMBOL	23	EA
YIELD TRIANGLE SYMBOL	14	EA
SPEED HUMP CHEVRON	3	EA
COLORIZED PAVEMENT MARKINGS		
BIKE LANE GREEN PAVEMENT MARKINGS	310	SF
CYCLE TRACK BUFFER MATERIALS		
FLEXIBLE CHANNELIZER POST	18	EA

* Quantities for dashed line types represent length of actual striping (excludes skip length)

Note: Striping, flexible channelizer post, and concrete parking wheel stop quantities are approximate. Field measurements will be used for final billing/accounting purposes.

D.C. DEPARTMENT OF TRANSPORTATION
PLANNING AND SUSTAINABILITY DIVISION
ACTIVE TRANSPORTATION PROGRAM

TENNESSEE AVE. NE
(LOCATION: EAST CAPITOL ST
NE TO 15TH ST NE)

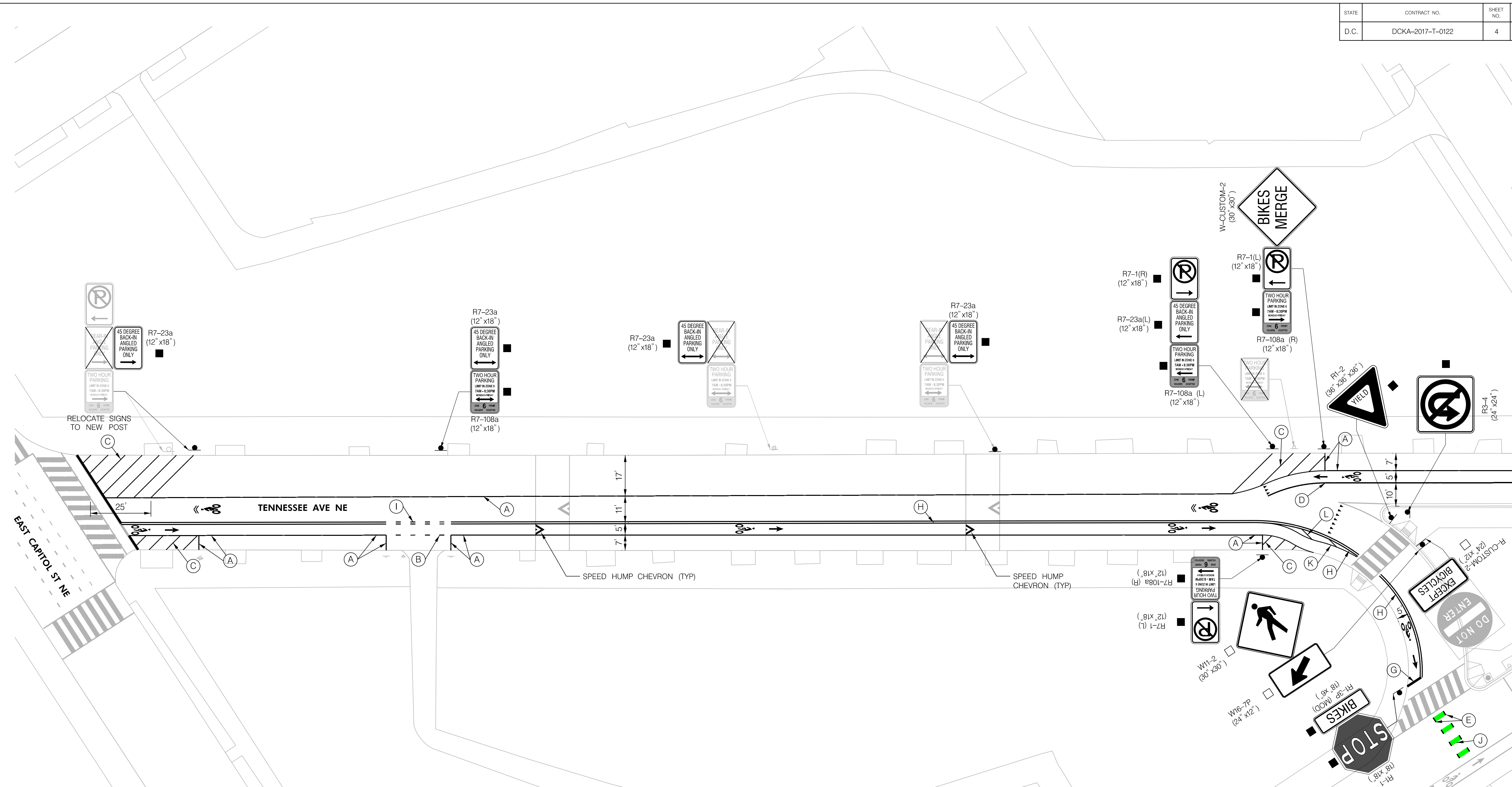
PROJECT ENG. DAG
DESIGNED BY MJB
CHECKED BY DLL
DRAWN BY MJB
PROJECT MGR. DLL

DIVISION CHIEF

PAVEMENT MARKING
DETAILS & QUANTITIES

DATE DECEMBER 2020
FILE pavement_quantities.dgn
SHEET 3 OF 9

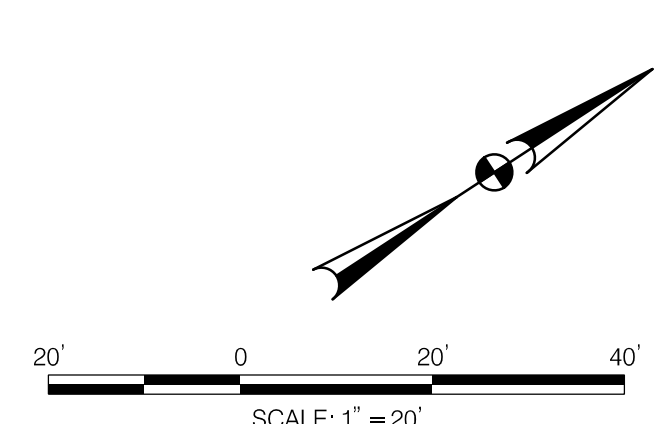
	NO.	DESCRIPTION	NAME	DATE
	REVISIONS			



MATCH LINE SHEET 2

SIGNING & PAVEMENT MARKINGS LEGEND

- | | |
|---|---|
| (A) 4 INCH SOLID WHITE THERMOPLASTIC PAVEMENT MARKINGS | (K) 4 INCH SOLID YELLOW THERMOPLASTIC PAVEMENT MARKINGS |
| (B) 4 INCH DASHED WHITE THERMOPLASTIC PAVEMENT MARKINGS (2' STRIPE, 4' SKIP) | (L) 4 INCH SOLID YELLOW THERMOPLASTIC PAVEMENT MARKINGS, ANGLED 45 DEG TO EDGELINE, SPACED 15' O.C. |
| (C) 4 INCH SOLID WHITE THERMOPLASTIC PAVEMENT MARKINGS, ANGLED 45 DEG TO EDGELINE, SPACED 5' O.C. | — BIKE LANE SYMBOL THERMOPLASTIC PAVEMENT MARKINGS |
| (D) 6 INCH SOLID WHITE THERMOPLASTIC PAVEMENT MARKINGS | — SHARED LANE SYMBOL THERMOPLASTIC PAVEMENT MARKINGS |
| (E) 6 INCH DASHED WHITE THERMOPLASTIC PAVEMENT MARKINGS (2' STRIPE, 4' SKIP) | ■ NEW SIGN TO BE INSTALLED ON NEW POST |
| (F) 24 INCH WHITE THERMOPLASTIC PAVEMENT MARKINGS, SPACED 2' O.C. | □ NEW SIGN TO BE INSTALLED ON EXISTING POST OR EX. SIGNAL /LIGHT POLE |
| (G) 12 INCH WHITE THERMOPLASTIC PAVEMENT MARKINGS | △ EXISTING SIGN TO BE RELOCATED TO NEW POST |
| (H) 4 INCH DOUBLE SOLID YELLOW THERMOPLASTIC PAVEMENT MARKINGS | |
| (I) 4" DOUBLE DASHED YELLOW THERMOPLASTIC PAVEMENT MARKINGS (2' STRIPE, 4' SKIP) | |
| (J) BIKE LANE GREEN PAINT | |



NOTE:

1. SPEED HUMP LOCATIONS WERE PROVIDED BY DDOT AND SHALL BE CONSIDERED APPROXIMATE.



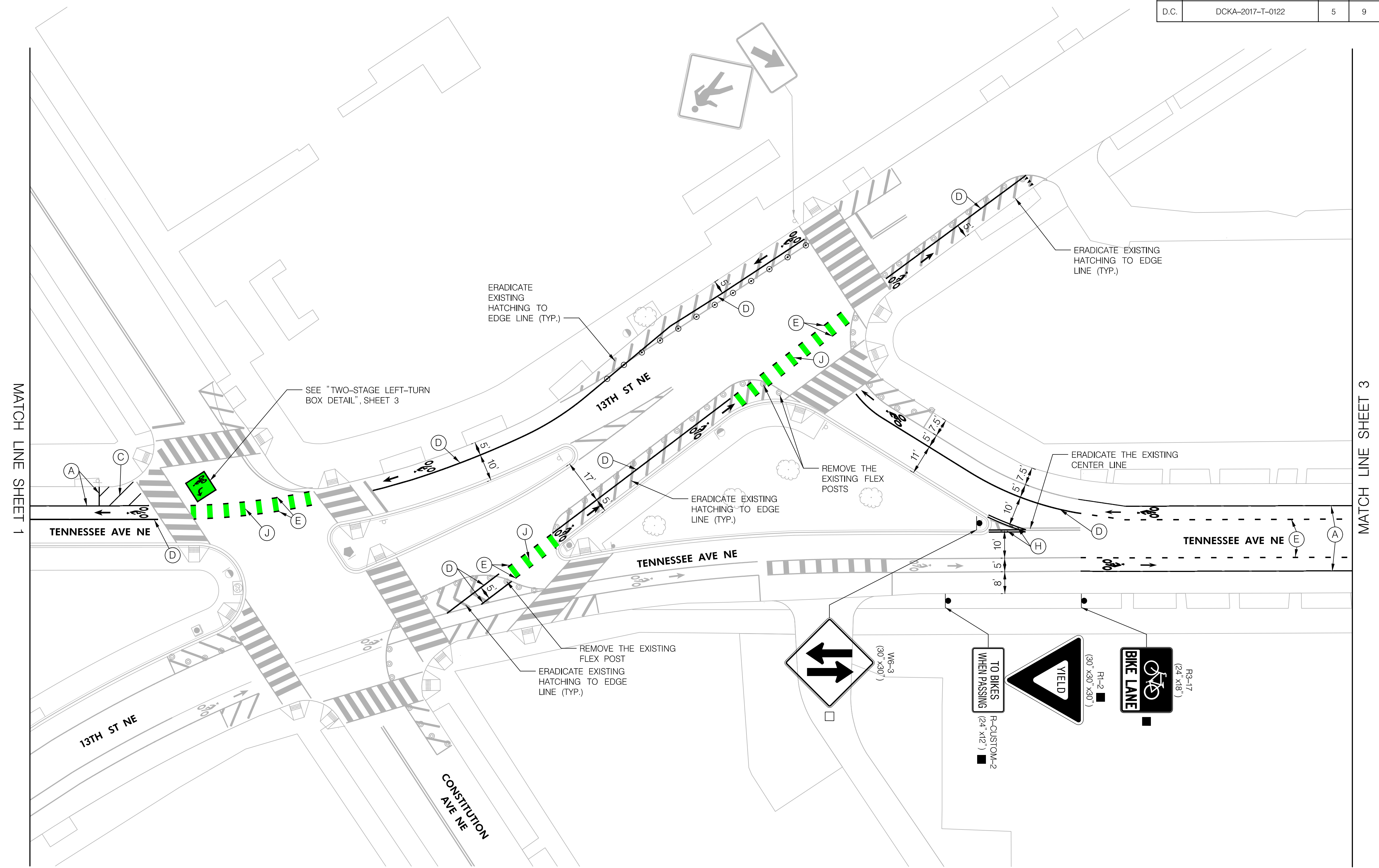
NO.	DESCRIPTION	NAME	DATE

**D.C. DEPARTMENT OF TRANSPORTATION
PLANNING, AND SUSTAINABILITY DIVISION
ACTIVE TRANSPORTATION PROGRAM**

**TENNESSEE AVE. NE
(LOCATION: EAST CAPITOL ST
NE TO 15TH ST NE)**

**PAVEMENT MARKING & SIGNING PLANS
(SHEET 1 OF 6)**

PROJECT ENG. <u> </u> DAG DESIGNED BY <u> </u> MSL CHECKED BY <u> </u> DLL DRAWN BY <u> </u> MSL PROJECT MGR. <u> </u> DLL	DIVISION CHIEF DATE <u> </u> DECEMBER 2020 FILE <u> </u> btl_tennessee_ave_ne.dgn SHEET <u> </u> 4 OF 9
--	--

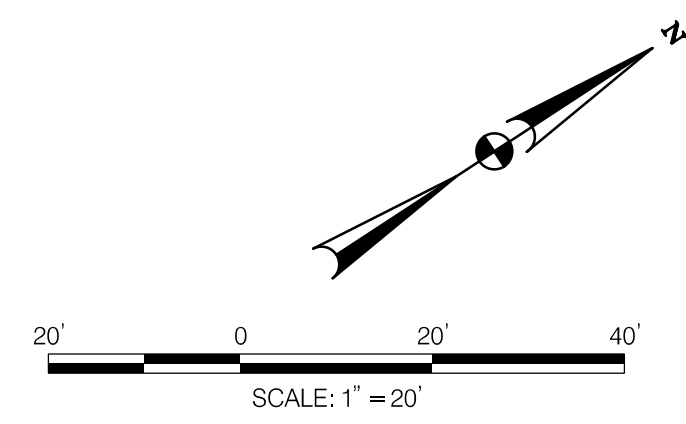


MATCH LINE SHEET 1

MATCH LINE SHEET 3

SIGNING & PAVEMENT MARKINGS LEGEND

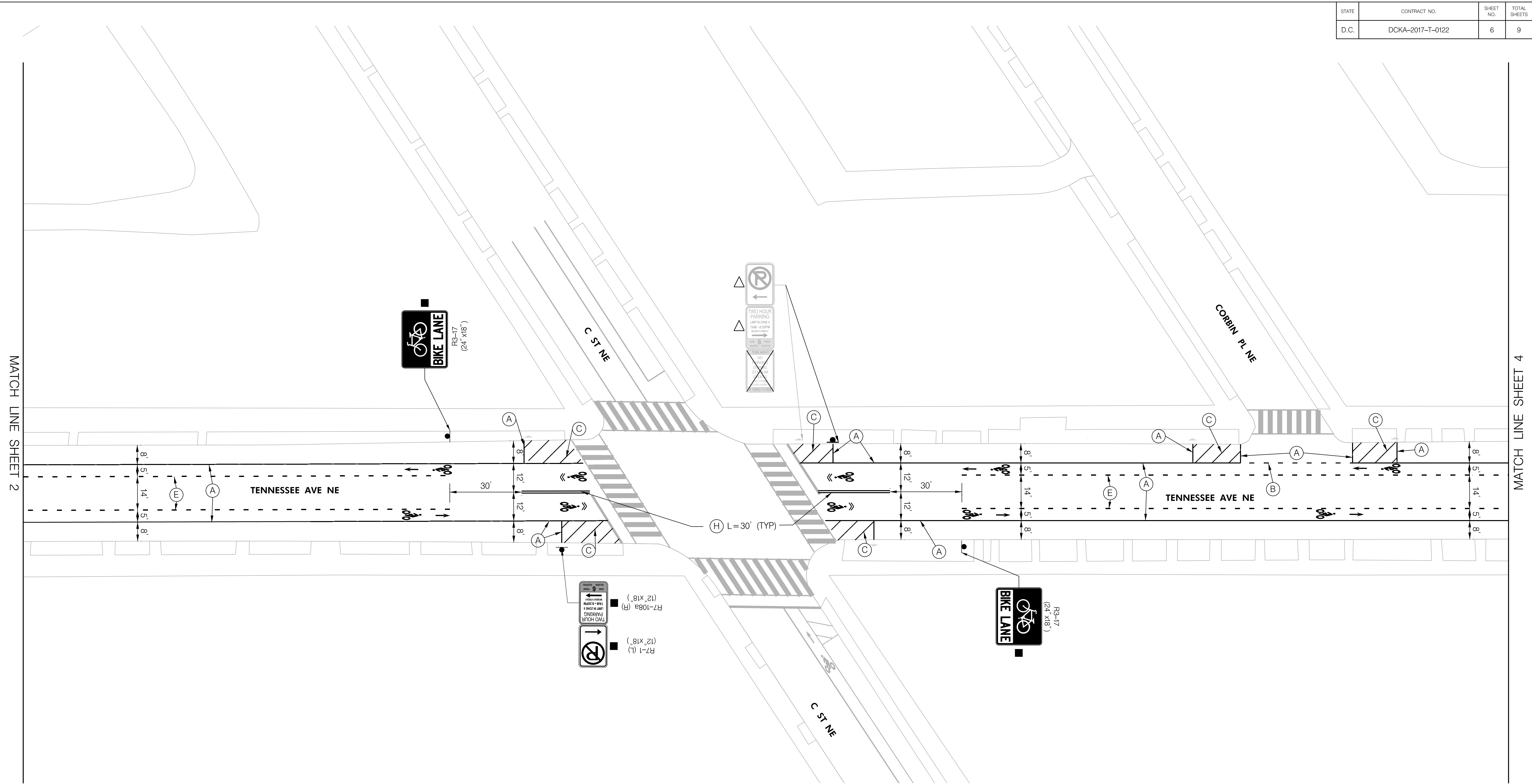
- | | |
|---|---|
| (A) 4 INCH SOLID WHITE THERMOPLASTIC PAVEMENT MARKINGS | (K) 4 INCH SOLID YELLOW THERMOPLASTIC PAVEMENT MARKINGS |
| (B) 4 INCH DASHED WHITE THERMOPLASTIC PAVEMENT MARKINGS (2' STRIPE, 4' SKIP) | (L) 4 INCH SOLID YELLOW THERMOPLASTIC PAVEMENT MARKINGS, ANGLED 45 DEG TO EDGELINE, SPACED 15' O.C. |
| (C) 4 INCH SOLID WHITE THERMOPLASTIC PAVEMENT MARKINGS, ANGLED 45 DEG TO EDGELINE, SPACED 5' O.C. | BIKE LANE SYMBOL THERMOPLASTIC PAVEMENT MARKINGS |
| (D) 6 INCH SOLID WHITE THERMOPLASTIC PAVEMENT MARKINGS | SHARED LANE SYMBOL THERMOPLASTIC PAVEMENT MARKINGS |
| (E) 6 INCH DASHED WHITE THERMOPLASTIC PAVEMENT MARKINGS (2' STRIPE, 4' SKIP) | ■ NEW SIGN TO BE INSTALLED ON NEW POST |
| (F) 24 INCH WHITE THERMOPLASTIC PAVEMENT MARKINGS, SPACED 2' O.C. | □ NEW SIGN TO BE INSTALLED ON EXISTING POST OR EX. SIGNAL /LIGHT POLE |
| (G) 12 INCH WHITE THERMOPLASTIC PAVEMENT MARKINGS | △ EXISTING SIGN TO BE RELOCATED TO NEW POST |
| (H) 4 INCH DOUBLE SOLID YELLOW THERMOPLASTIC PAVEMENT MARKINGS | |
| (I) 4" DOUBLE DASHED YELLOW THERMOPLASTIC PAVEMENT MARKINGS (2' STRIPE, 4' SKIP) | |
| (J) BIKE LANE GREEN PAINT | |



NO.	DESCRIPTION	NAME	DATE

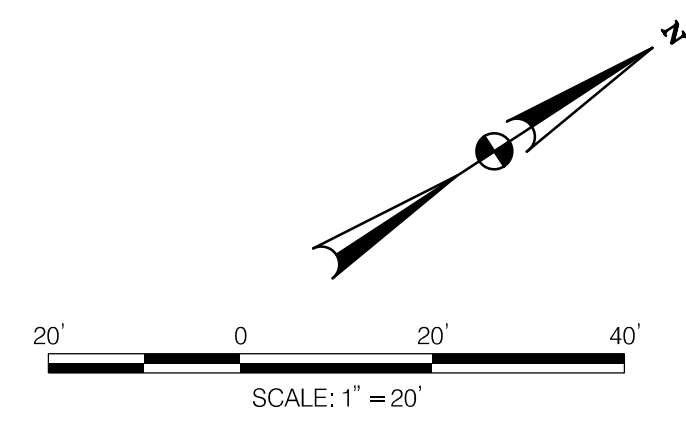
D.C. DEPARTMENT OF TRANSPORTATION PLANNING, AND SUSTAINABILITY DIVISION ACTIVE TRANSPORTATION PROGRAM	
TENNESSEE AVE. NE (LOCATION: EAST CAPITOL ST NE TO 15TH ST NE)	PROJECT ENG. <u> </u> DAG DESIGNED BY <u> </u> MSL CHECKED BY <u> </u> DLL DRAWN BY <u> </u> MSL PROJECT MGR. <u> </u> DLL
PAVEMENT MARKING & SIGNING PLANS (SHEET 2 OF 6)	DIVISION CHIEF DATE <u> </u> DECEMBER 2020 FILE <u> </u> btl_tennessee_ave_ne.dgn SHEET <u> </u> 5 OF 9

STATE:	CONTRACT NO.:	SHEET NO.:	TOTAL SHEETS:
D.C.	DCKA-2017-T-0122	6	9



SIGNING & PAVEMENT MARKINGS LEGEND

- | | |
|---|---|
| (A) 4 INCH SOLID WHITE THERMOPLASTIC PAVEMENT MARKINGS | (K) 4 INCH SOLID YELLOW THERMOPLASTIC PAVEMENT MARKINGS |
| (B) 4 INCH DASHED WHITE THERMOPLASTIC PAVEMENT MARKINGS (2' STRIPE, 4' SKIP) | (L) 4 INCH SOLID YELLOW THERMOPLASTIC PAVEMENT MARKINGS, ANGLED 45 DEG TO EDGELINE, SPACED 15' O.C. |
| (C) 4 INCH SOLID WHITE THERMOPLASTIC PAVEMENT MARKINGS, ANGLED 45 DEG TO EDGELINE, SPACED 5' O.C. | BIKE LANE SYMBOL THERMOPLASTIC PAVEMENT MARKINGS |
| (D) 6 INCH SOLID WHITE THERMOPLASTIC PAVEMENT MARKINGS | SHARED LANE SYMBOL THERMOPLASTIC PAVEMENT MARKINGS |
| (E) 6 INCH DASHED WHITE THERMOPLASTIC PAVEMENT MARKINGS (2' STRIPE, 4' SKIP) | ■ NEW SIGN TO BE INSTALLED ON NEW POST |
| (F) 24 INCH WHITE THERMOPLASTIC PAVEMENT MARKINGS, SPACED 2' O.C. | □ NEW SIGN TO BE INSTALLED ON EXISTING POST OR EX. SIGNAL /LIGHT POLE |
| (G) 12 INCH WHITE THERMOPLASTIC PAVEMENT MARKINGS | △ EXISTING SIGN TO BE RELOCATED TO NEW POST |
| (H) 4 INCH DOUBLE SOLID YELLOW THERMOPLASTIC PAVEMENT MARKINGS | |
| (I) 4" DOUBLE DASHED YELLOW THERMOPLASTIC PAVEMENT MARKINGS (2' STRIPE, 4' SKIP) | |
| (J) BIKE LANE GREEN PAINT | |



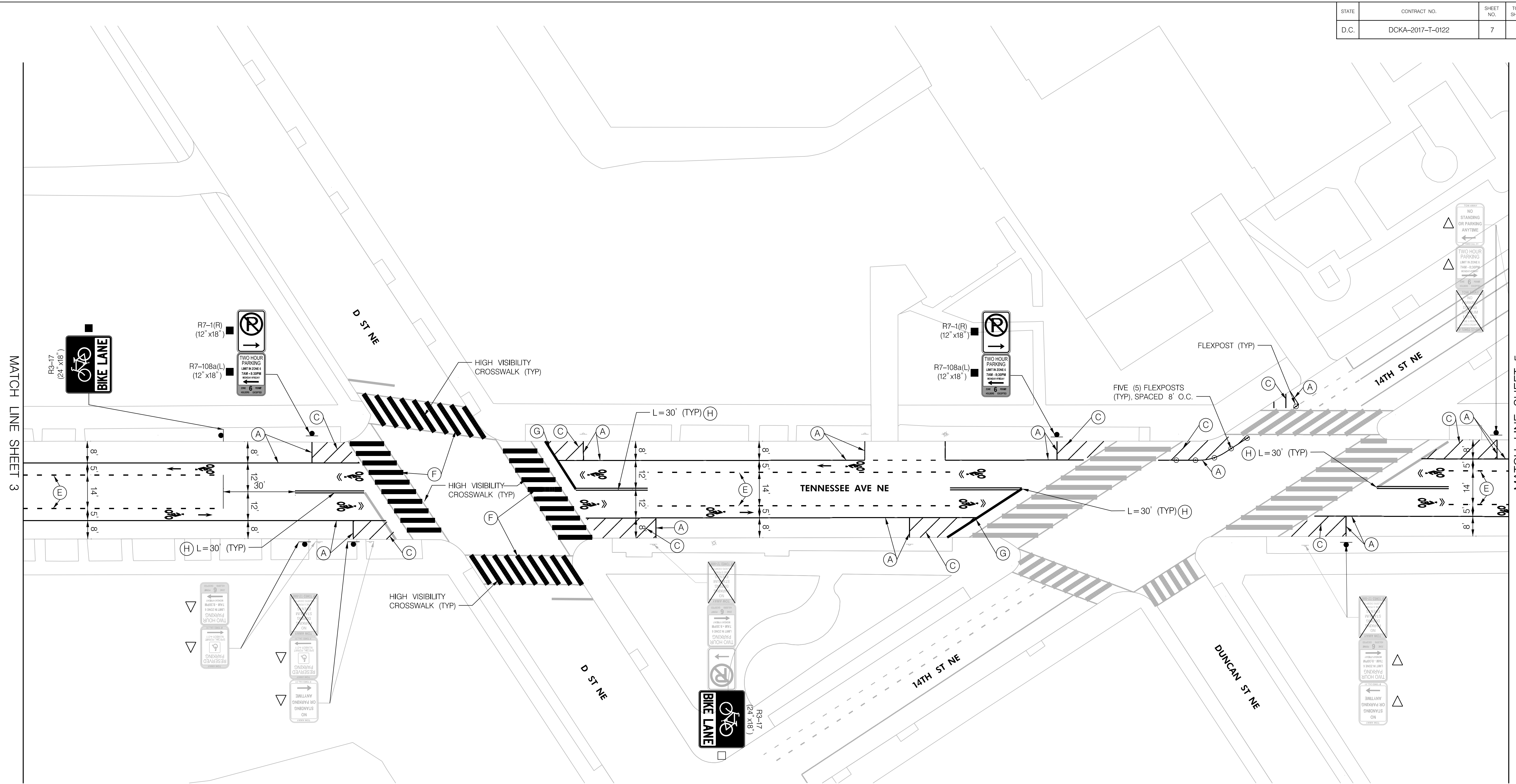
NO.	DESCRIPTION	NAME	DATE

**D.C. DEPARTMENT OF TRANSPORTATION
PLANNING, AND SUSTAINABILITY DIVISION
ACTIVE TRANSPORTATION PROGRAM**

**TENNESSEE AVE. NE
(LOCATION: EAST CAPITOL ST
NE TO 15TH ST NE)**

**PAVEMENT MARKING & SIGNING PLANS
(SHEET 3 OF 6)**

PROJECT ENG. _____ DAG	DIVISION CHIEF
DESIGNED BY _____ MSL	DATE _____ DECEMBER 2020
CHECKED BY _____ DLL	FILE: hdl_tennessee_ave_ne.dgn
DRAWN BY _____ MSL	SHEET 6 OF 9
PROJECT MGR. _____ DLL	

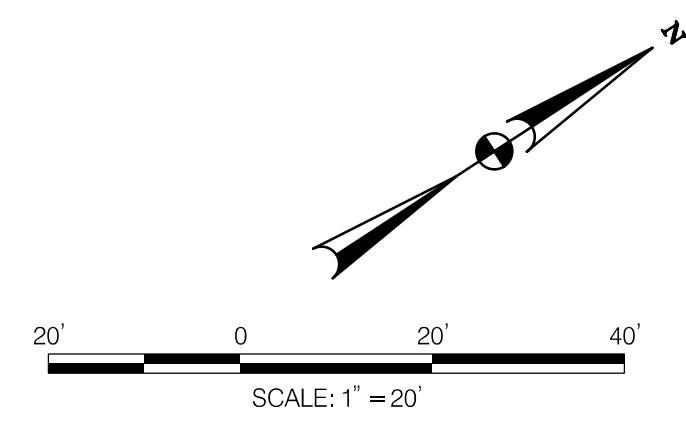


MATCH LINE SHEET 3

MATCH LINE SHEET 5

SIGNING & PAVEMENT MARKINGS LEGEND

- | | |
|---|---|
| (A) 4 INCH SOLID WHITE THERMOPLASTIC PAVEMENT MARKINGS | (K) 4 INCH SOLID YELLOW THERMOPLASTIC PAVEMENT MARKINGS |
| (B) 4 INCH DASHED WHITE THERMOPLASTIC PAVEMENT MARKINGS (2' STRIPE, 4' SKIP) | (L) 4 INCH SOLID YELLOW THERMOPLASTIC PAVEMENT MARKINGS, ANGLED 45 DEG TO EDGELINE, SPACED 15' O.C. |
| (C) 4 INCH SOLID WHITE THERMOPLASTIC PAVEMENT MARKINGS, ANGLED 45 DEG TO EDGELINE, SPACED 5' O.C. | BIKE LANE SYMBOL THERMOPLASTIC PAVEMENT MARKINGS |
| (D) 6 INCH SOLID WHITE THERMOPLASTIC PAVEMENT MARKINGS | SHARED LANE SYMBOL THERMOPLASTIC PAVEMENT MARKINGS |
| (E) 6 INCH DASHED WHITE THERMOPLASTIC PAVEMENT MARKINGS (2' STRIPE, 4' SKIP) | NEW SIGN TO BE INSTALLED ON NEW POST |
| (F) 24 INCH WHITE THERMOPLASTIC PAVEMENT MARKINGS, SPACED 2' O.C. | NEW SIGN TO BE INSTALLED ON EXISTING POST OR EX. SIGNAL /LIGHT POLE |
| (G) 12 INCH WHITE THERMOPLASTIC PAVEMENT MARKINGS | EXISTING SIGN TO BE RELOCATED TO NEW POST |
| (H) 4 INCH DOUBLE SOLID YELLOW THERMOPLASTIC PAVEMENT MARKINGS | |
| (I) 4" DOUBLE DASHED YELLOW THERMOPLASTIC PAVEMENT MARKINGS (2' STRIPE, 4' SKIP) | |
| (J) BIKE LANE GREEN PAINT | |



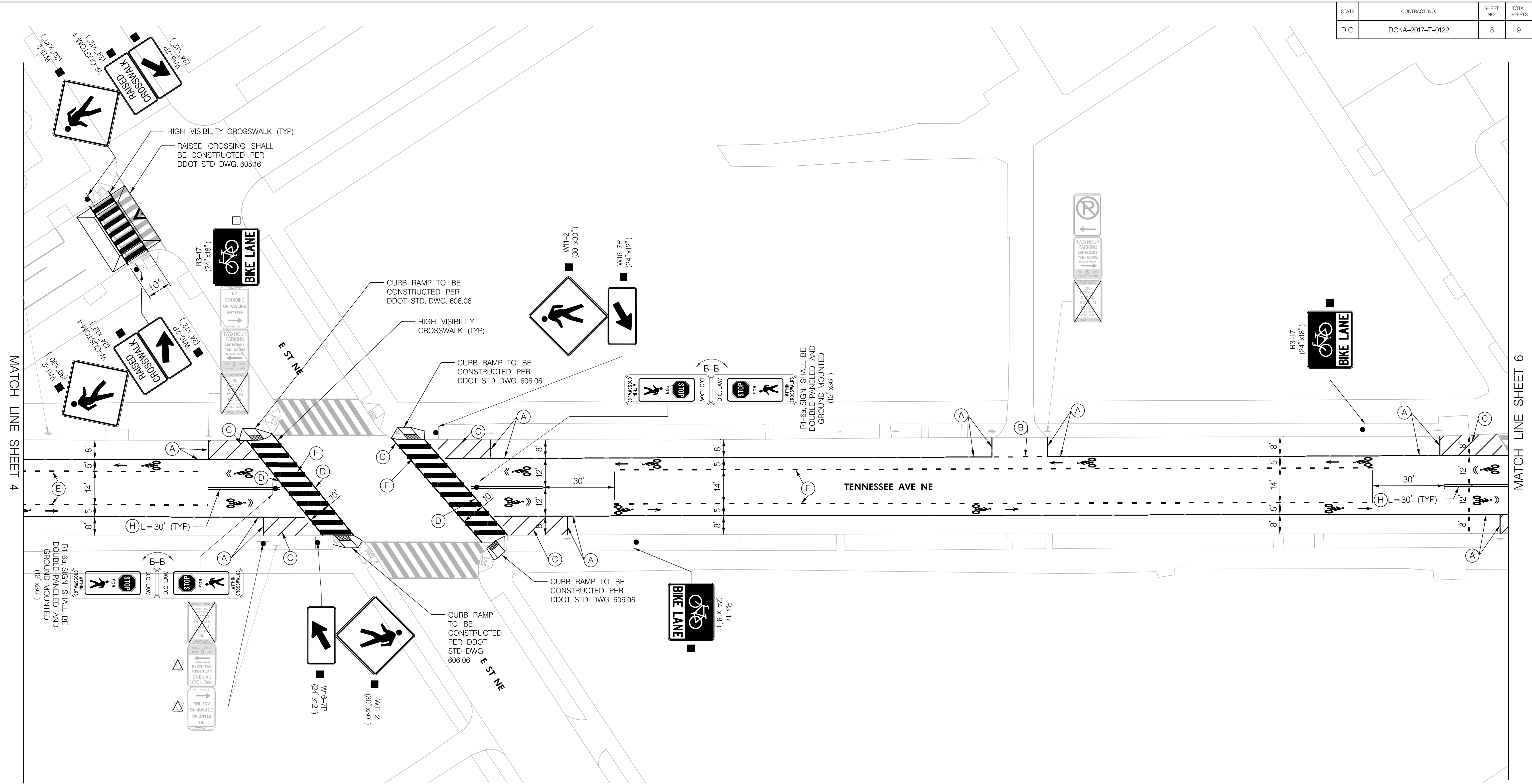
NO.	DESCRIPTION	NAME	DATE

**D.C. DEPARTMENT OF TRANSPORTATION
PLANNING, AND SUSTAINABILITY DIVISION
ACTIVE TRANSPORTATION PROGRAM**

**TENNESSEE AVE. NE
(LOCATION: EAST CAPITOL ST
NE TO 15TH ST NE)**

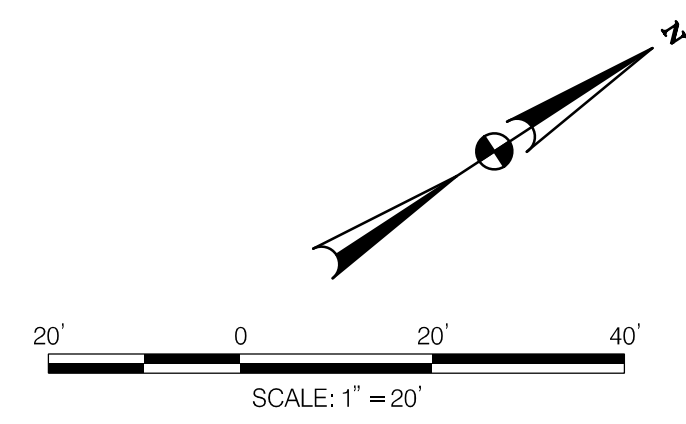
**PAVEMENT MARKING & SIGNING PLANS
(SHEET 4 OF 6)**

PROJECT ENG. <u> </u> DAG DESIGNED BY <u> </u> MSL CHECKED BY <u> </u> DLL DRAWN BY <u> </u> MSL PROJECT MGR. <u> </u> DLL	DIVISION CHIEF DATE <u> </u> DECEMBER 2020 FILE <u> </u> btl_tennessee_ave_ne.dgn SHEET <u> </u> 7 OF 9
--	--



SIGNING & PAVEMENT MARKINGS LEGEND

- | | |
|---|---|
| (A) 4 INCH SOLID WHITE THERMOPLASTIC PAVEMENT MARKINGS | (K) 4 INCH SOLID YELLOW THERMOPLASTIC PAVEMENT MARKINGS |
| (B) 4 INCH DASHED WHITE THERMOPLASTIC PAVEMENT MARKINGS (2' STRIPE, 4' SKIP) | (L) 4 INCH SOLID YELLOW THERMOPLASTIC PAVEMENT MARKINGS, ANGLED 45 DEG TO EDGELINE, SPACED 15' O.C. |
| (C) 4 INCH SOLID WHITE THERMOPLASTIC PAVEMENT MARKINGS, ANGLED 45 DEG TO EDGELINE, SPACED 5' O.C. | — BIKE LANE SYMBOL THERMOPLASTIC PAVEMENT MARKINGS |
| (D) 6 INCH SOLID WHITE THERMOPLASTIC PAVEMENT MARKINGS | — SHARED LANE SYMBOL THERMOPLASTIC PAVEMENT MARKINGS |
| (E) 6 INCH DASHED WHITE THERMOPLASTIC PAVEMENT MARKINGS (2' STRIPE, 4' SKIP) | ■ NEW SIGN TO BE INSTALLED ON NEW POST |
| (F) 24 INCH WHITE THERMOPLASTIC PAVEMENT MARKINGS, SPACED 2' O.C. | □ NEW SIGN TO BE INSTALLED ON EXISTING POST OR EX. SIGNAL /LIGHT POLE |
| (G) 12 INCH WHITE THERMOPLASTIC PAVEMENT MARKINGS | △ EXISTING SIGN TO BE RELOCATED TO NEW POST |
| (H) 4 INCH DOUBLE SOLID YELLOW THERMOPLASTIC PAVEMENT MARKINGS | |
| (I) 4" DOUBLE DASHED YELLOW THERMOPLASTIC PAVEMENT MARKINGS (2' STRIPE, 4' SKIP) | |
| (J) BIKE LANE GREEN PAINT | |



NO.	DESCRIPTION	NAME	DATE

D.C. DEPARTMENT OF TRANSPORTATION
 PLANNING, AND SUSTAINABILITY DIVISION
 ACTIVE TRANSPORTATION PROGRAM

TENNESSEE AVE. NE
 (LOCATION: EAST CAPITOL ST
 NE TO 15TH ST NE)

PAVEMENT MARKING & SIGNING PLANS
 (SHEET 5 OF 6)

PROJECT ENG. <u> </u> DAG	DIVISION CHIEF
DESIGNED BY <u> </u> MSL	DATE <u> </u> DECEMBER 2020
CHECKED BY <u> </u> DLL	FILE <u> </u> btl_tennessee_ave_ne.dgn
DRAWN BY <u> </u> MSL	SHEET <u> </u> 8 OF <u> </u> 9
PROJECT MGR. <u> </u> DLL	

