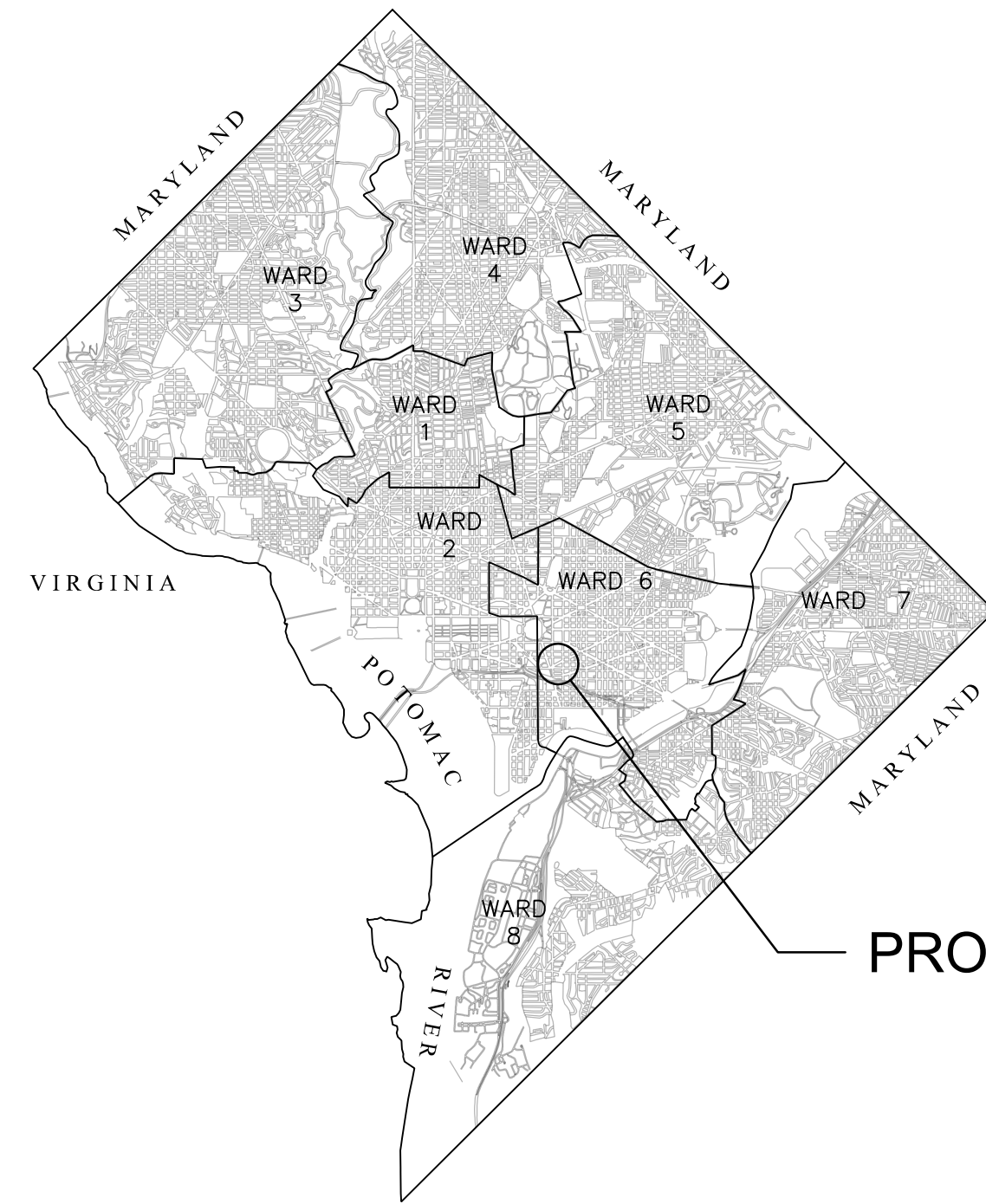


DISTRICT OF COLUMBIA DEPARTMENT OF TRANSPORTATION



INDEX OF SHEETS

- 1. TITLE SHEET
- 2-3. ADVISORY BIKE LANE LAYOUT PLANS

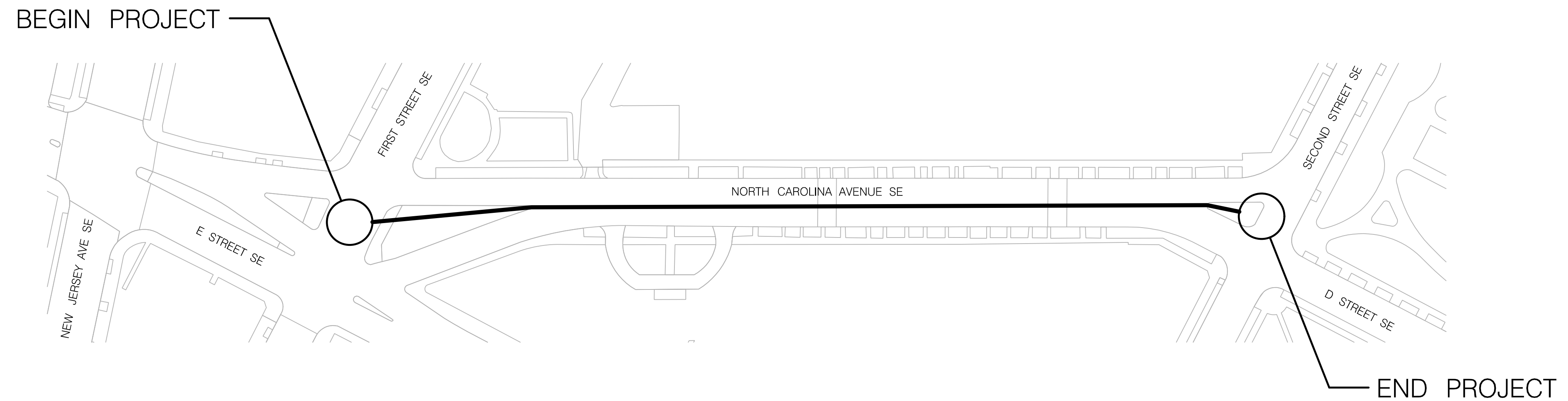


PROJECT SITE

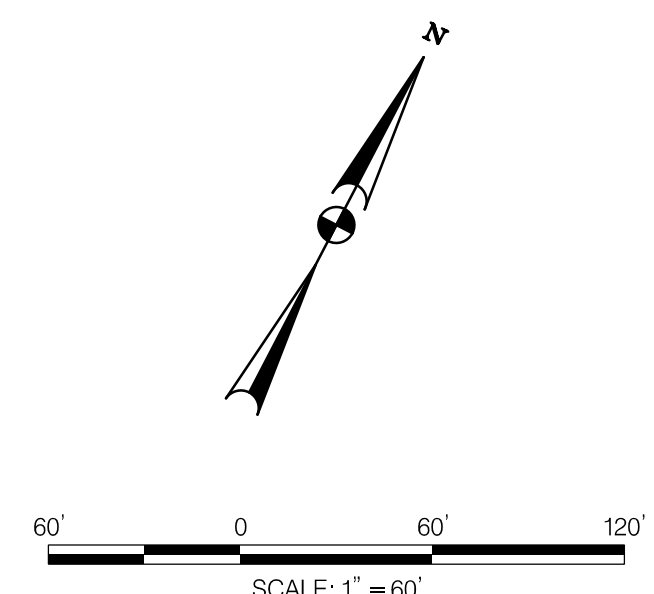
NORTH CAROLINA AVENUE SE FROM FIRST STREET SE TO 2nd STREET SE

CITY MAP

ADVISORY BIKE LANES



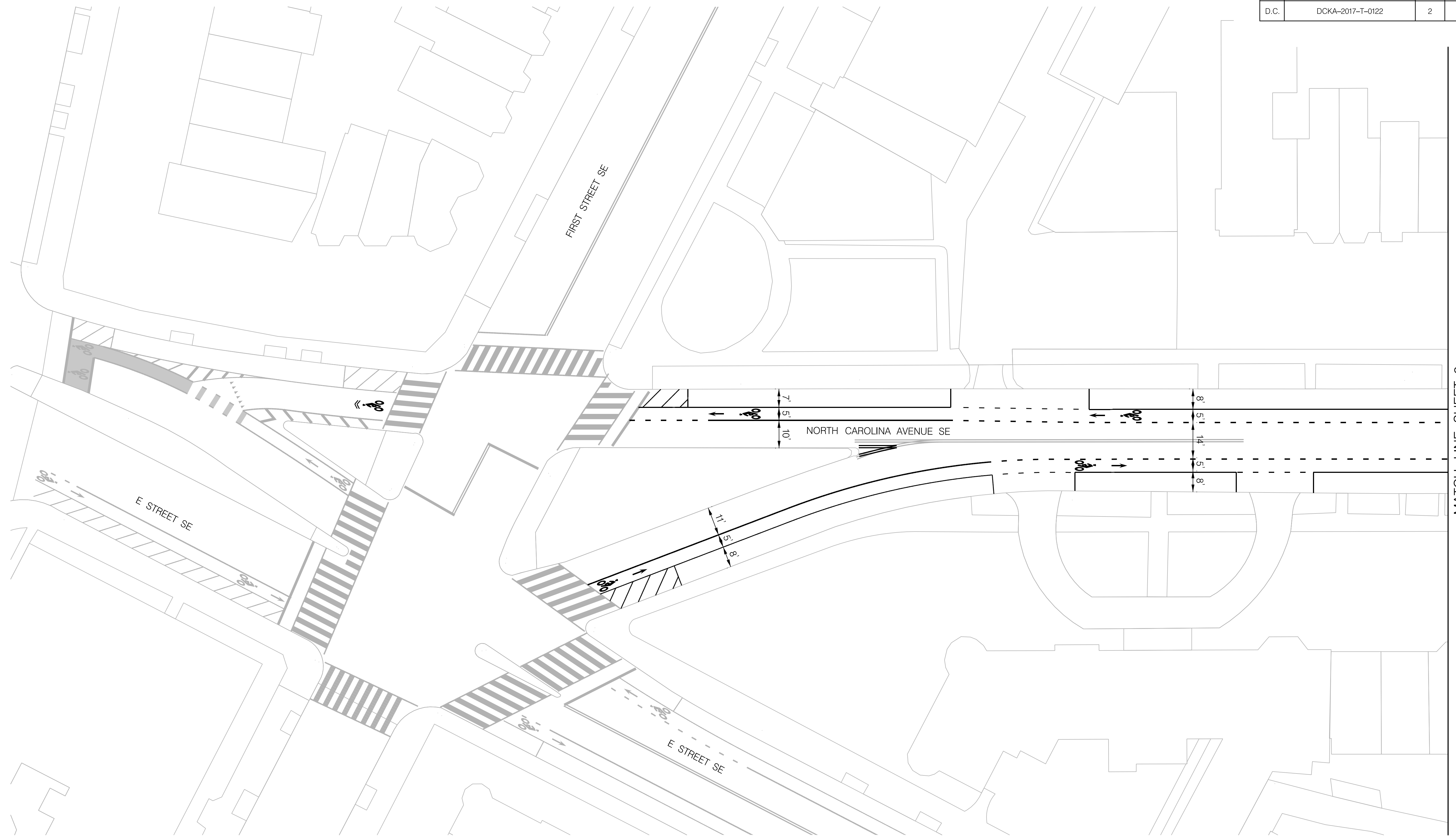
CONCEPT PLANS
June 2021



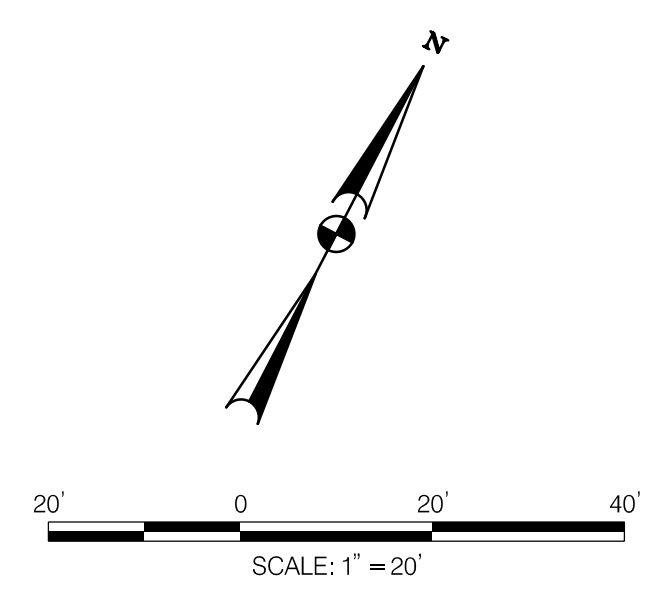
REVISIONS			
1	CONCEPTUAL (30%) DESIGN PLANS	DAG	06/16/21

D.C. DEPARTMENT OF TRANSPORTATION PLANNING AND SUSTAINABILITY DIVISION ACTIVE TRANSPORTATION PROGRAM	
NORTH CAROLINA AVE SE (LOCATION: FIRST ST SE TO 2ND ST SE)	
TITLE SHEET	PROJECT ENG. <u> </u> DAG DESIGNED BY <u> </u> DAG CHECKED BY <u> </u> DAG DRAWN BY <u> </u> DAG PROJECT MGR. <u> </u> DLL DIVISION CHIEF DATE <u> </u> 06/16/21 FILE <u> </u> SHEET 1 OF 3

STATE	CONTRACT NO.	SHEET NO.	TOTAL SHEETS
D.C.	DCKA-2017-T-0122	2	3



MATCH LINE SHEET 2



NO.	DESCRIPTION	NAME	DATE

D.C. DEPARTMENT OF TRANSPORTATION
PLANNING, AND SUSTAINABILITY DIVISION
ACTIVE TRANSPORTATION PROGRAM

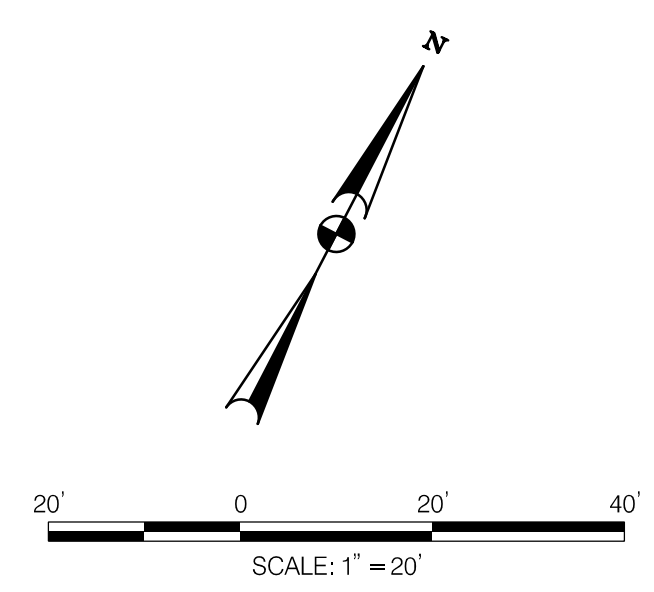
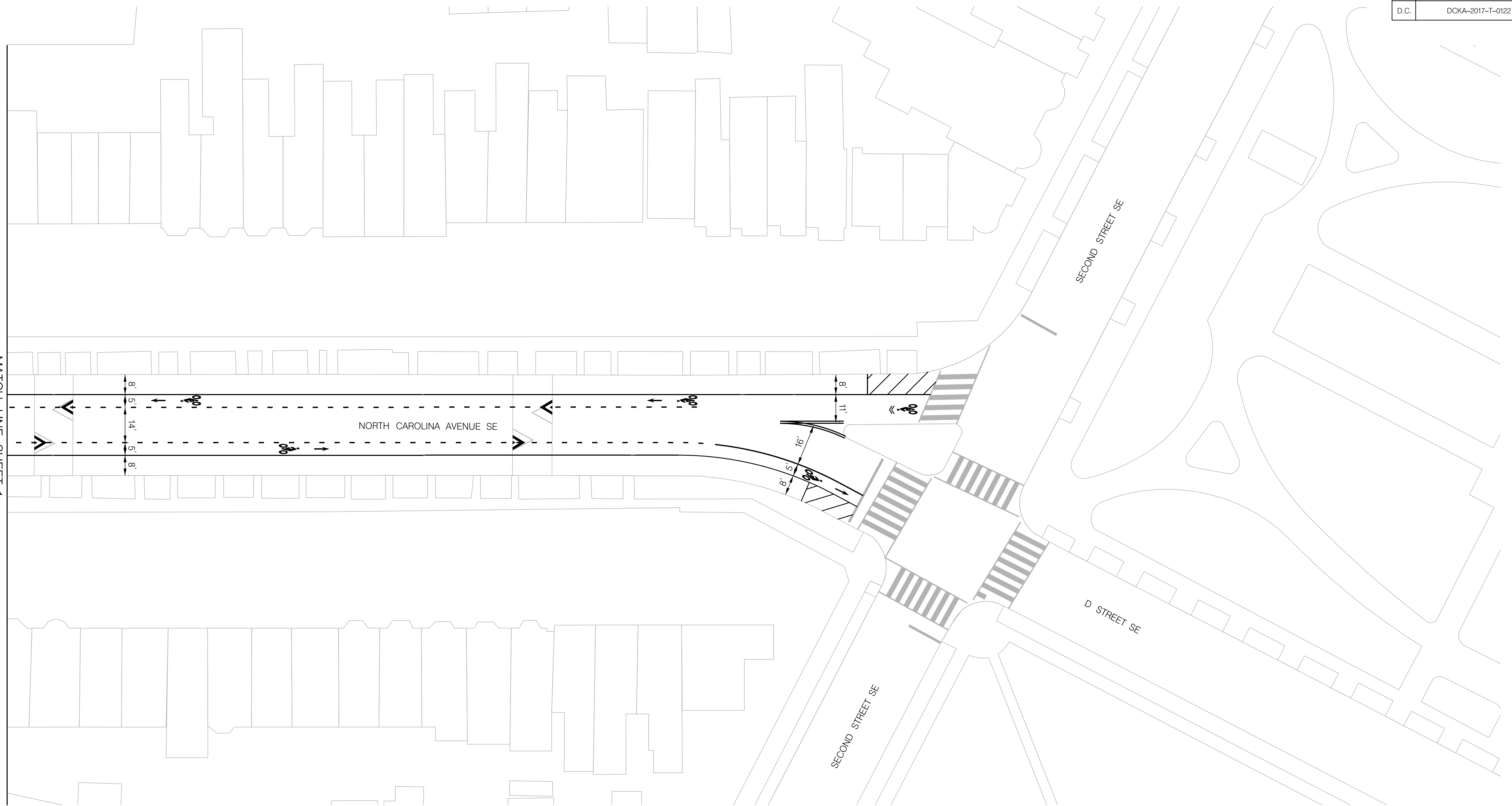
NORTH CAROLINA AVE SE
(LOCATION: FIRST ST SE TO 2ND ST SE)

ADVISORY BIKE LANE LAYOUT PLANS
(SHEET 1 OF 2)

PROJECT ENG. <u> </u> DAG DESIGNED BY <u> </u> DAG CHECKED BY <u> </u> DLL DRAWN BY <u> </u> DAG PROJECT MGR. <u> </u> DLL	DIVISION CHIEF DATE <u> </u> 06/16/21 FILE <u> </u> SHEET <u> </u> 2 OF 3
--	--

STATE	CONTRACT NO.	SHEET NO.	TOTAL SHEETS
D.C.	DCKA-2017-T-0122	3	3

MATCH LINE SHEET 1



NO.	DESCRIPTION	NAME	DATE
REVISIONS			

D.C. DEPARTMENT OF TRANSPORTATION
PLANNING, AND SUSTAINABILITY DIVISION
ACTIVE TRANSPORTATION PROGRAM

NORTH CAROLINA AVE SE
(LOCATION: FIRST ST SE TO 2ND ST SE)

ADVISORY BIKE LANE LAYOUT PLANS
(SHEET 2 OF 2)

PROJECT ENG. <u> </u> DAG DESIGNED BY <u> </u> DAG CHECKED BY <u> </u> DLL DRAWN BY <u> </u> DAG PROJECT MGR. <u> </u> DLL	DIVISION CHIEF DATE <u> </u> 06/16/21 FILE <u> </u> SHEET <u> </u> 3 OF 3
--	--