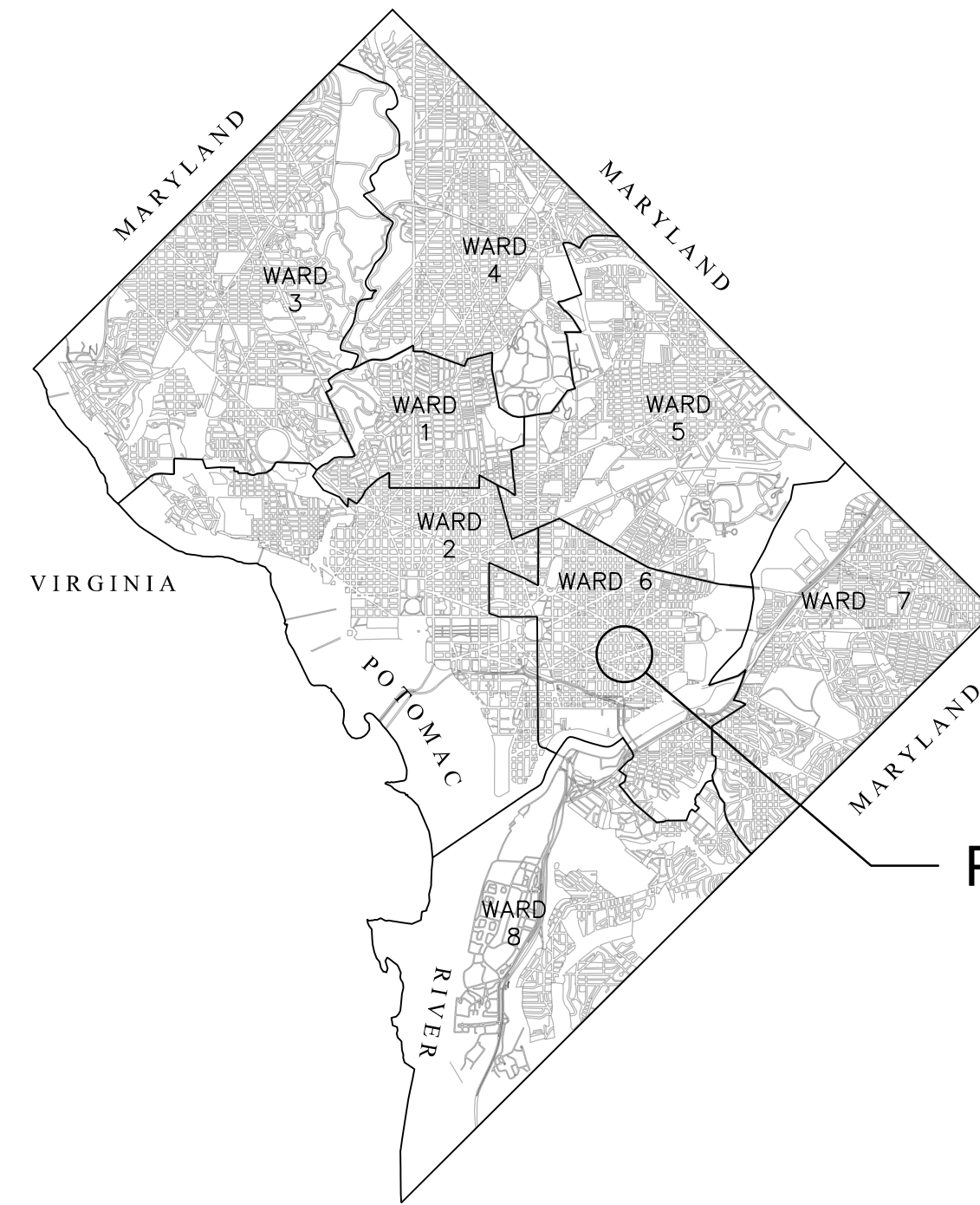


DISTRICT OF COLUMBIA DEPARTMENT OF TRANSPORTATION



INDEX OF SHEETS

1. TITLE SHEET
2. PROJECT NOTES & DETAILS
3. SIGN DETAILS & QUANTITIES
4. PAVEMENT MARKING QUANTITIES
- 5-8. ADVISORY BIKE LANE LAYOUT PLANS



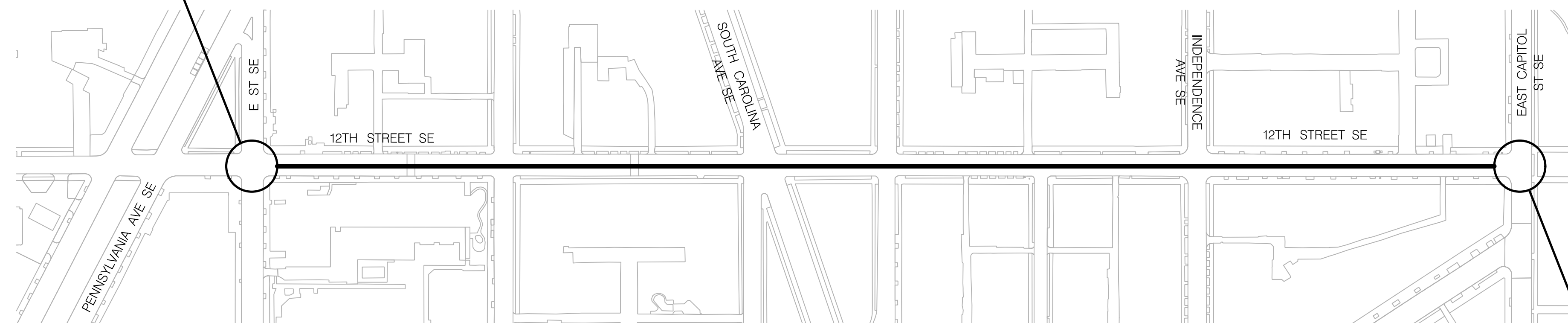
PROJECT SITE

CITY MAP

12th STREET SE FROM E STREET SE TO EAST CAPITOL STREET SE

ADVISORY BIKE LANES

BEGIN
PROJECT



END PROJECT

FINAL PLANS
October 2021



150' 0 150' 300'
SCALE: 1" = 150'



NO.	DESCRIPTION	DATE
1	CONCEPTUAL (30%) DESIGN PLANS	DAG October 06, 2021
REVISIONS		

D.C. DEPARTMENT OF TRANSPORTATION
PLANNING AND SUSTAINABILITY DIVISION
ACTIVE TRANSPORTATION PROGRAM

12th STREET SE
(LOCATION: E ST SE TO
EAST CAPITOL ST SE)

TITLE SHEET

PROJECT ENG. DAG
DESIGNED BY DAG
CHECKED BY DLL
DRAWN BY DAG
PROJECT MGR. DLL

DIVISION CHIEF

DATE October 06, 2021

FILE title_12th_st_se.dgn

SHEET 1 OF 8

STATE	CONTRACT NO.	SHEET NO.	TOTAL SHEETS
D.C.	DCKA-2017-T-0122	2	8

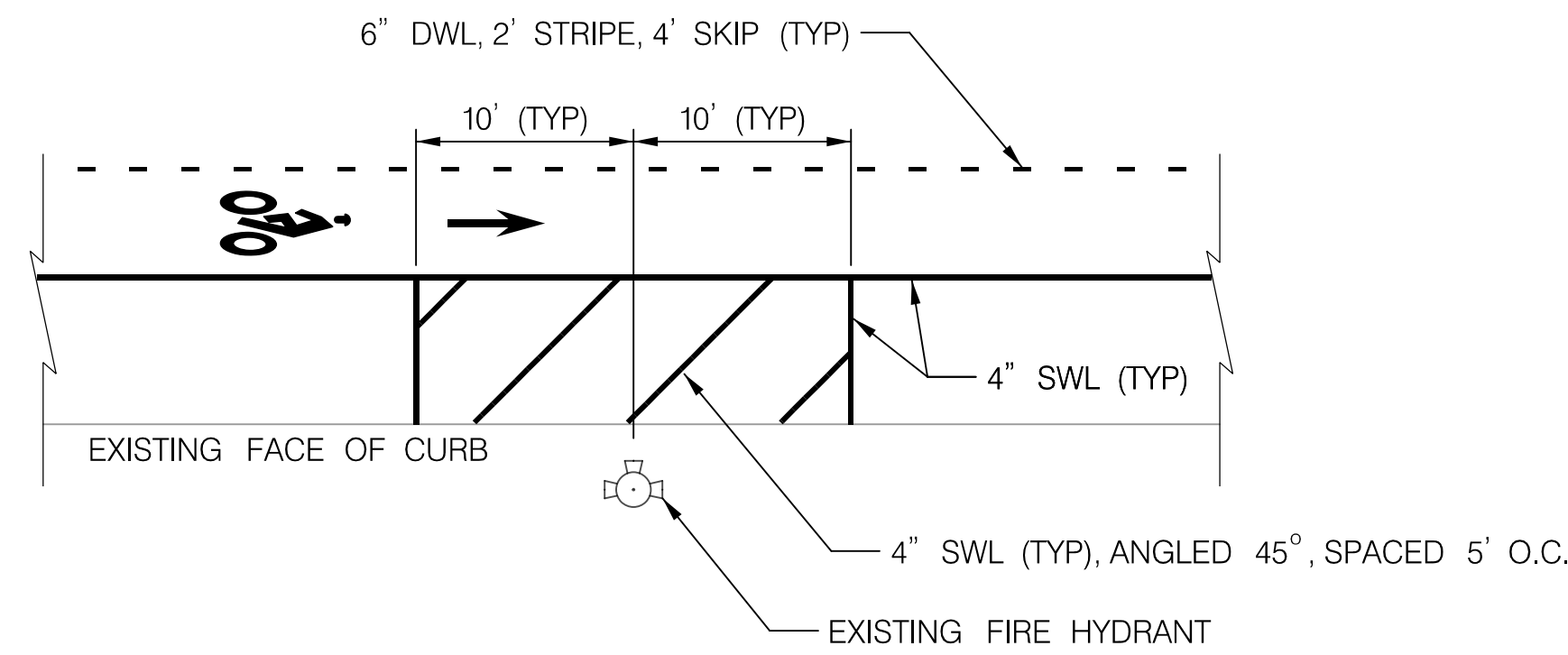
PROJECT NOTES:

GENERAL NOTES:

1. ALL CONSTRUCTION MATERIALS AND PROCEDURES SHALL BE IN ACCORDANCE WITH THE STANDARD SPECIFICATIONS FOR HIGHWAYS AND STRUCTURES (GOLD BOOK) DATED 2013, ISSUED BY THE DISTRICT OF COLUMBIA DEPARTMENT OF TRANSPORTATION.
2. ALL WORK SHALL BE DONE IN ACCORDANCE WITH THE DESIGN & ENGINEERING MANUAL (DEM) DATED JANUARY 2019.
3. PER AMERICANS WITH DISABILITIES ACT ACCESSIBILITY GUIDELINES (ADAAG), ALL SIDEWALK CROSS SLOPES SHALL NOT EXCEED 2%.

PAVEMENT MARKING & SIGNING NOTES:

4. ALL STRIPING AND SIGN WORK SHALL BE IN ACCORDANCE WITH THE STANDARD SPECIFICATIONS FOR HIGHWAYS AND STRUCTURES (GOLD BOOK) DATED 2013, DESIGN & ENGINEERING MANUAL (DEM) DATED JANUARY 2019, AND THE 2009 MANUAL ON UNIFORM TRAFFIC CONTROL (MUTCD) REQUIREMENTS.
5. PAVEMENT MARKINGS ON ASPHALT PAVEMENT SHALL BE THERMOPLASTIC TYPE.
6. ALL EXISTING PAVEMENT MARKINGS MAY NOT BE SHOWN. ALL EXISTING PAVEMENT MARKINGS THAT CONFLICT WITH PROPOSED PAVEMENT MARKINGS SHALL BE ERADICATED BY A METHOD APPROVED BY DDOT.
7. NOT ALL DRIVEWAYS HAVE BEEN LOCATED FOR THIS STRIPING AND SIGNAGE PLAN. THE CONTRACTOR SHALL BE RESPONSIBLE FOR FIELD VERIFYING ALL DRIVEWAY LOCATIONS PRIOR TO BEGINNING STRIPING WORK.
8. NOT ALL FIRE HYDRANTS HAVE BEEN LOCATED FOR THIS STRIPING PLAN. THE CONTRACTOR SHALL BE RESPONSIBLE FOR FIELD VERIFYING FIRE HYDRANT LOCATIONS AND STRIPING NO PARKING ZONES FOR 10 FEET ON EITHER SIDE OF THE FIRE HYDRANTS WHERE THEY ARE LOCATED ALONG A PARKING LANE. SEE TYPICAL DDOT TYPICAL LANE STRIPING DETAIL FOR TYPICAL FIRE HYDRANT TREATMENT.
9. IF A CROSSWALK IS PRESENT, PARKING SPACES SHALL BE STRIPED WITH A MINIMUM CLEARANCE OF 25 FEET FROM THE CROSSWALK UNLESS NOTED OTHERWISE.
10. THE CONTRACTOR SHALL COORDINATE WITH THE DDOT FIELD OPERATIONS DIVISION (FOD), SIGNS AND MARKING DIVISION, REGARDING THE INTENSITY AND REFLECTIVITY OF SIGNS TO BE INSTALLED. THE CONTACT FOR THIS WORK IS OGECHI ELEKWACHI, PHONE NUMBER: 202-369-7483.
11. PROPOSED SIGNS SHALL BE INSTALLED SO THAT NO PORTION OF THE SIGN PANEL OVERHANGS ADJACENT ROADWAY PAVEMENT.
12. PROPOSED SIGN POSTS SHALL BE LOCATED A MINIMUM OF 2 FEET BEHIND FACE OF CURB. IF LOCATED IN OR ADJACENT TO SIDEWALKS, A 32" MINIMUM CLEAR AND 48" PREFERRED PASSING SPACE ON EXISTING AND PROPOSED SIDEWALKS SHALL BE MAINTAINED.
13. ALL TRAFFIC SIGNS SHALL BE MOUNTED ON A STANDARD DDOT BREAKAWAY TYPE METAL SIGN POST.
14. PROPOSED SIGNS AT NEW LOCATIONS SHALL BE INSTALLED SO THEY DO NOT BLOCK THE VISIBILITY OF ANY EXISTING SIGNS OR SIGNALS.
15. PROPOSED SIGNS AND POSTS SHALL BE CLEAR OF EXISTING FIRE HYDRANTS, SURFACE UTILITY, AND OVERHEAD UTILITY EQUIPMENT A MINIMUM OF 10 FEET.
16. FOR NEW POST INSTALLATION, THE CONTRACTOR SHALL VERIFY THAT THERE ARE NO CONFLICTING UNDERGROUND OR OVERHEAD UTILITIES.
17. SIGNS MOUNTED TO EXISTING LIGHT, SIGNAL OR UTILITY POLES SHALL BE FASTENED WITH A MANUFACTURED STEEL BANDING SYSTEM. POLES SHALL NOT BE DRILLED DIRECTLY. THE CONTRACTOR SHALL SUBMIT MANUFACTURER INFORMATION ON THE BANDING SYSTEM TO DDOT FOR APPROVAL PRIOR TO INSTALLATION.
18. THE CONTRACTOR SHALL FOLLOW MUTCD AND DDOT STANDARD DETAILS AND PROCEDURES FOR MAINTENANCE OF TRAFFIC FOR STRIPING AND CONCRETE WORK. THE CONTRACTOR SHALL BE RESPONSIBLE FOR MAINTAINING A PROPER WORK ZONE UNTIL ALL WORK IS COMPLETED.



ADVISORY BIKE LANE FIRE HYDRANT STRIPING DETAIL
NOT TO SCALE

D.C. DEPARTMENT OF TRANSPORTATION
PLANNING AND SUSTAINABILITY DIVISION
ACTIVE TRANSPORTATION PROGRAM

12th STREET SE
(LOCATION: E ST SE TO
EAST CAPITOL ST SE)

PROJECT ENG. DAG
DESIGNED BY DAG
CHECKED BY DLL
DRAWN BY DAG
PROJECT MGR. DLL

DIVISION CHIEF

PROJECT NOTES & DETAILS

DATE: October 06, 2021
FILE: 1024448-1024449
SHEET 2 OF 8



NO.	DESCRIPTION	NAME	DATE

REVISIONS

SIGN QUANTITIES:

30" W x 30" H



R1-1

N.T.S.

18" W x 6" H



R1-3P

N.T.S.

24" W x 18" H



R3-17

N.T.S.

30" W x 30" H



R5-1

N.T.S.

36" W x 12" H



R6-1 (R) & (L)

N.T.S.

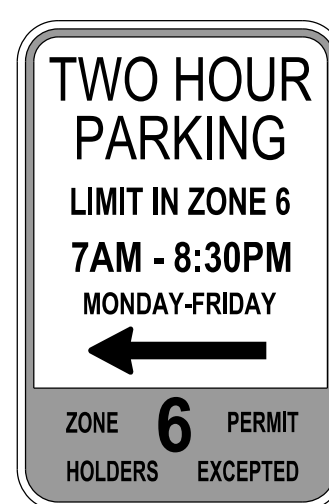
12" W x 18" H



R7-1 (R) & (L)

N.T.S.

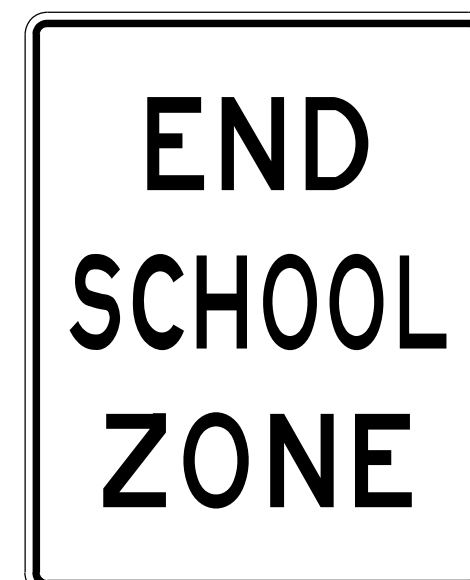
12" W x 18" H



R7-108a (R) & (L)

N.T.S.

24" W x 30" H



S5-2

N.T.S.

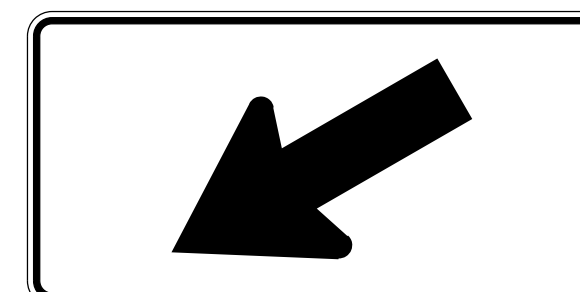
30" W x 30" H



W11-2

N.T.S.

24" W x 12" H



W16-7P (R) & (L)

N.T.S.

Sign Designation	MUTCD/DDOT	Sign Type	Use	Sign or Plaque Description	Quantity	Panel Dimensions (IN)		Panel Area	Total Area (SF)
						W	H		
R1-1	MUTCD	Regulatory	Motor Vehicle	Stop	1	30	30	6.25	6.25
R1-3P	MUTCD	Regulatory	Motor Vehicle	All Way	1	18	6	0.75	0.75
R1-5	MUTCD	Regulatory	Motor Vehicle	Do Not Enter	4	30	30	6.25	25.00
R3-17	MUTCD	Regulatory	Motor Vehicle	Bike Lane	5	24	18	3.00	15.00
R6-1 (R)	MUTCD	Regulatory	Motor Vehicle	One Way	7	36	12	3.00	21.00
R6-1 (L)	MUTCD	Regulatory	Motor Vehicle	One Way	6	36	12	3.00	18.00
R7-1 (R)	DDOT	Regulatory	Motor Vehicle	No Standing or Parking (Right Arrow)	5	12	18	1.50	7.50
R7-1 (L)	DDOT	Regulatory	Motor Vehicle	No Standing or Parking (Left Arrow)	1	12	18	1.50	1.50
R7-108a (L)	DDOT	Regulatory	Motor Vehicle	Two Hour Parking (Left Arrow)	5	12	18	1.50	7.50
R7-108a (R)	DDOT	Regulatory	Motor Vehicle	Two Hour Parking (Right Arrow)	1	12	18	1.50	1.50
S5-2	MUTCD	School	Motor Vehicle	School Zone Ends	1	24	30	5.00	5.00
W11-2	MUTCD	Warning	Motor Vehicle	Pedestrian Warning	4	30	30	6.25	25.00
W16-7P (L)	MUTCD	Warning	Motor Vehicle	Left Downward Arrow	3	24	12	2.00	6.00
W16-7P (R)	MUTCD	Warning	Motor Vehicle	Right Downward Arrow	1	24	12	2.00	2.00
Total:								142.00	

D.C. DEPARTMENT OF TRANSPORTATION
PLANNING AND SUSTAINABILITY DIVISION
ACTIVE TRANSPORTATION PROGRAM

12th STREET SE
(LOCATION: E ST SE TO
EAST CAPITOL ST SE)

PROJECT ENG. DAG
DESIGNED BY DAG
CHECKED BY DAG
DRAWN BY DAG
PROJECT MGR. DLL

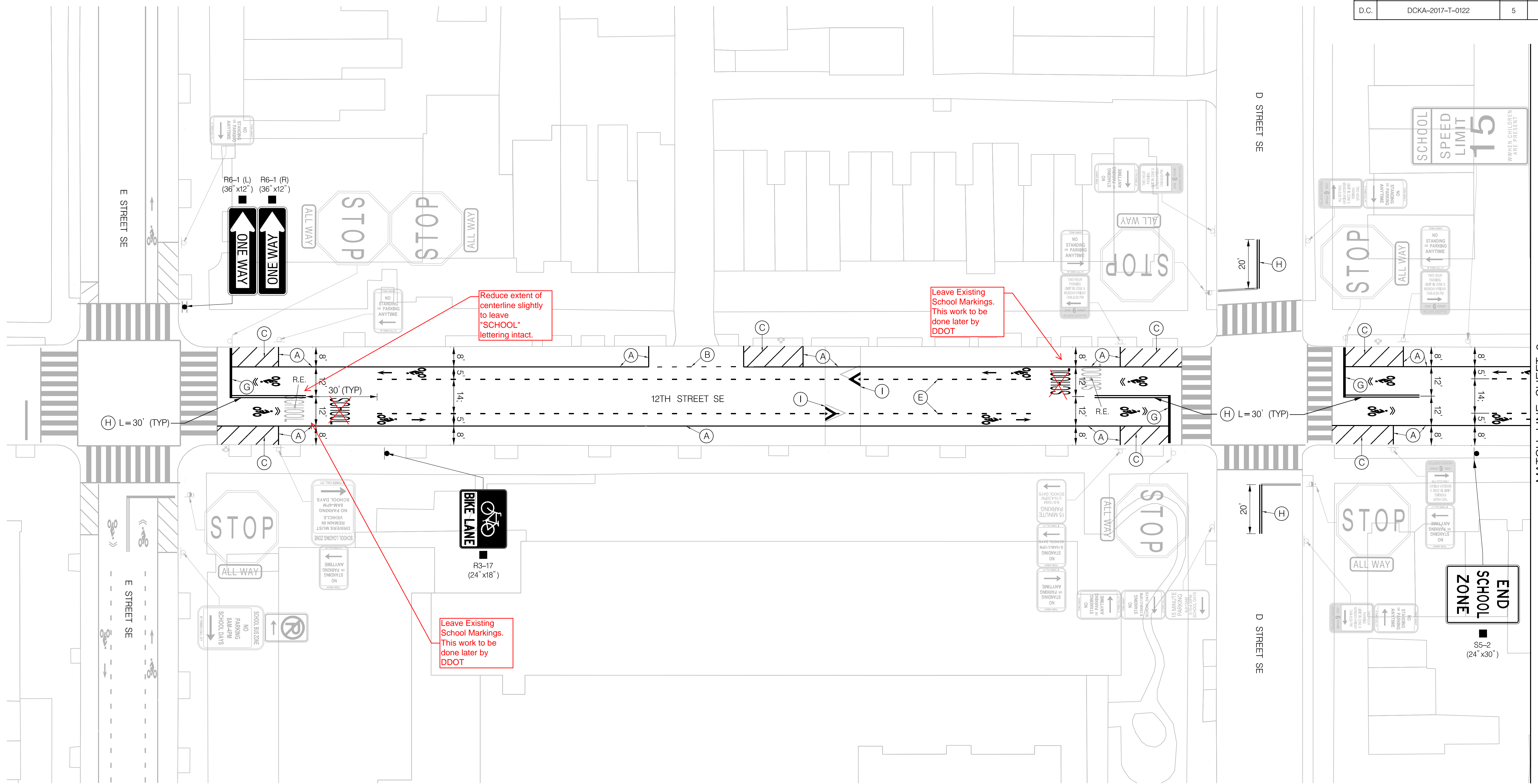
DIVISION CHIEF

SIGN DETAILS & QUANTITIES

DATE: October 06, 2021
FILE: 10211018-1021019
SHEET 3 OF 8

NO.	DESCRIPTION	NAME	DATE
	REVISIONS		

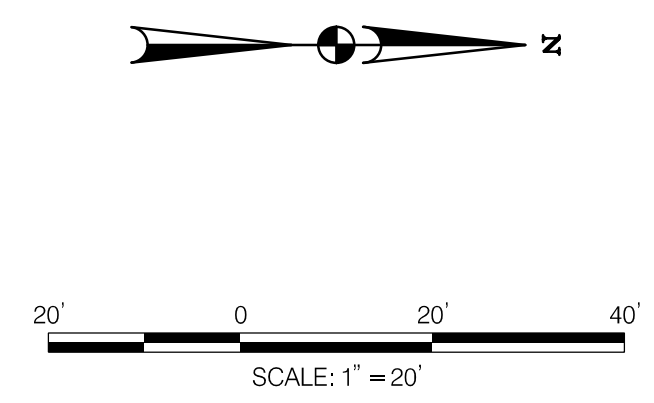




MATCH LINE SHEET 2

- SIGNING & PAVEMENT MARKINGS LEGEND**
- (A) 4 INCH SOLID WHITE THERMOPLASTIC PAVEMENT MARKINGS
 - (B) 4 INCH DASHED WHITE THERMOPLASTIC PAVEMENT MARKINGS (2' STRIPE, 4' SKIP)
 - (C) 4 INCH SOLID WHITE THERMOPLASTIC PAVEMENT MARKINGS, ANGLED 45 DEG TO EDGELINE, SPACED 5' O.C.
 - (D) 6 INCH SOLID WHITE THERMOPLASTIC PAVEMENT MARKINGS
 - (E) 6 INCH DASHED WHITE THERMOPLASTIC PAVEMENT MARKINGS (2' STRIPE, 4' SKIP)
 - (F) 24 INCH WHITE THERMOPLASTIC PAVEMENT MARKINGS, SPACED 2' O.C.
 - (G) 12 INCH WHITE THERMOPLASTIC PAVEMENT MARKINGS
 - (H) 4 INCH DOUBLE SOLID YELLOW THERMOPLASTIC PAVEMENT MARKINGS
 - (I) STANDARD SPEED HUMP CHEVRON MARKINGS

- BIKE LANE SYMBOL THERMOPLASTIC PAVEMENT MARKINGS
- SHARED LANE SYMBOL THERMOPLASTIC PAVEMENT MARKINGS
- NEW SIGN TO BE INSTALLED ON NEW POST
- NEW SIGN TO BE INSTALLED ON EXISTING POST OR EX. SIGNAL LIGHT POLE
- R.E. REMOVE EXISTING MARKING



NOTE:

- STRIPING FOR PARKING LIMITS SHALL MATCH EXISTING SIGNING, UNLESS NOTED OTHERWISE.

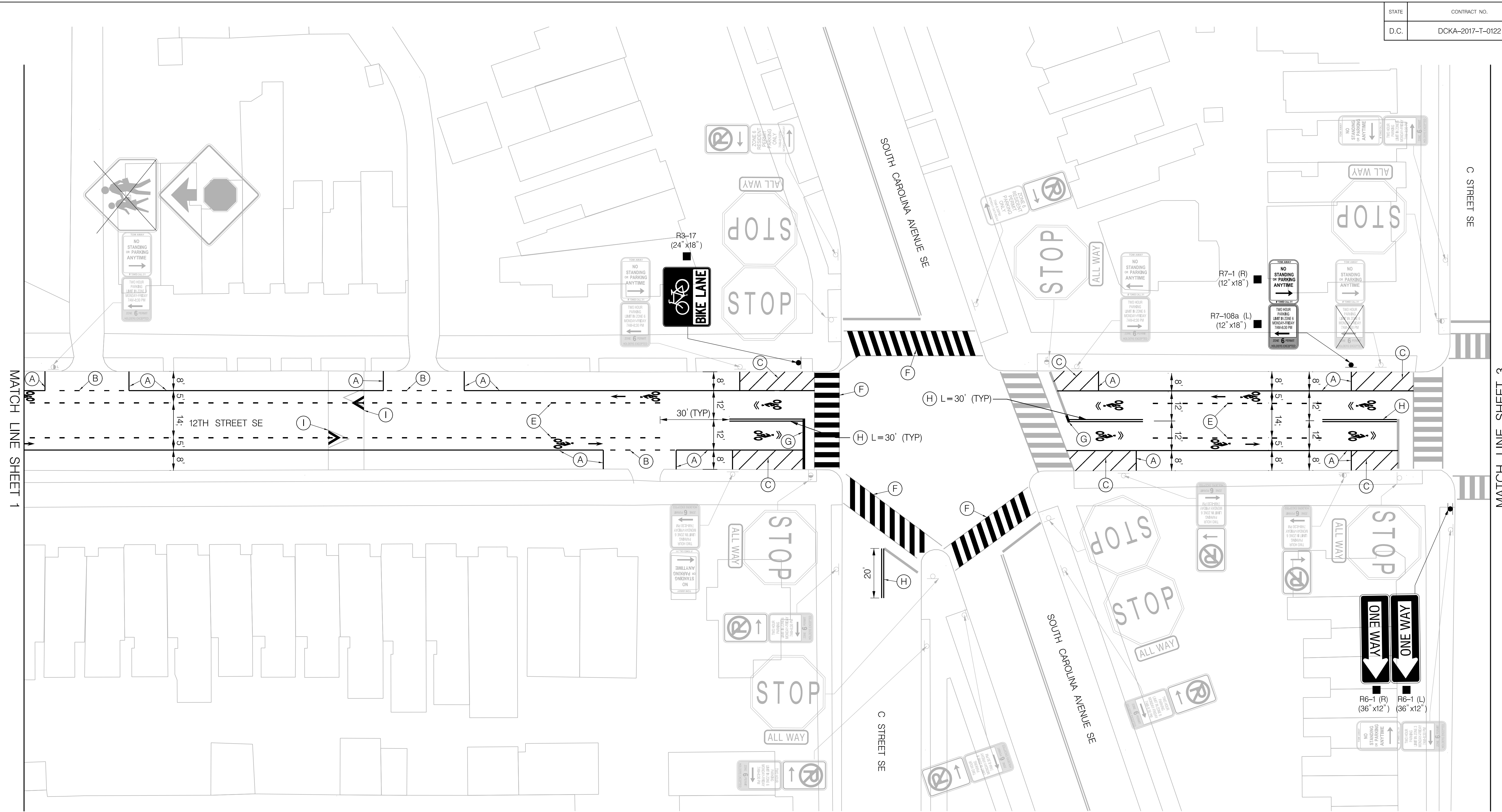
NO.	DESCRIPTION	NAME	DATE
REVISIONS			

D.C. DEPARTMENT OF TRANSPORTATION
PLANNING, AND SUSTAINABILITY DIVISION
ACTIVE TRANSPORTATION PROGRAM

12th STREET SE
(LOCATION: E ST SE TO
EAST CAPITOL ST SE)

ADVISORY BIKE LANE LAYOUT PLANS
(SHEET 1 OF 4)

PROJECT ENG. <u> </u> DAG DESIGNED BY <u> </u> DAG CHECKED BY <u> </u> DLL DRAWN BY <u> </u> DAG PROJECT MGR. <u> </u> DLL	DIVISION CHIEF DATE <u> </u> October 06, 2021 <u> </u> FILE <u> </u> btl_12th_st_se.dgn SHEET <u> </u> 5 <u> </u> OF <u> </u> 8
--	--



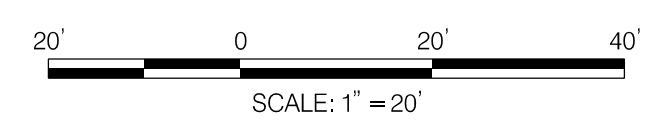
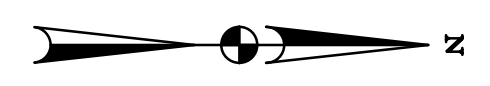
MATCH LINE SHEET 1

MATCH LINE SHEET 3

SIGNING & PAVEMENT MARKINGS LEGEND

- (A) 4 INCH SOLID WHITE THERMOPLASTIC PAVEMENT MARKINGS
- (B) 4 INCH DASHED WHITE THERMOPLASTIC PAVEMENT MARKINGS (2' STRIPE, 4' SKIP)
- (C) 4 INCH SOLID WHITE THERMOPLASTIC PAVEMENT MARKINGS, ANGLED 45 DEG TO EDGELINE, SPACED 5' O.C.
- (D) 6 INCH SOLID WHITE THERMOPLASTIC PAVEMENT MARKINGS
- (E) 6 INCH DASHED WHITE THERMOPLASTIC PAVEMENT MARKINGS (2' STRIPE, 4' SKIP)
- (F) 24 INCH WHITE THERMOPLASTIC PAVEMENT MARKINGS, SPACED 2' O.C.
- (G) 12 INCH WHITE THERMOPLASTIC PAVEMENT MARKINGS
- (H) 4 INCH DOUBLE SOLID YELLOW THERMOPLASTIC PAVEMENT MARKINGS
- (I) STANDARD SPEED HUMP CHEVRON MARKINGS

- BIKE LANE SYMBOL THERMOPLASTIC PAVEMENT MARKINGS
- SHARED LANE SYMBOL THERMOPLASTIC PAVEMENT MARKINGS
- NEW SIGN TO BE INSTALLED ON NEW POST
- NEW SIGN TO BE INSTALLED ON EXISTING POST OR EX. SIGNAL / LIGHT POLE
- R.E. REMOVE EXISTING MARKING



NOTE:

1. STRIPING FOR PARKING LIMITS SHALL MATCH EXISTING SIGNING, UNLESS NOTED OTHERWISE.



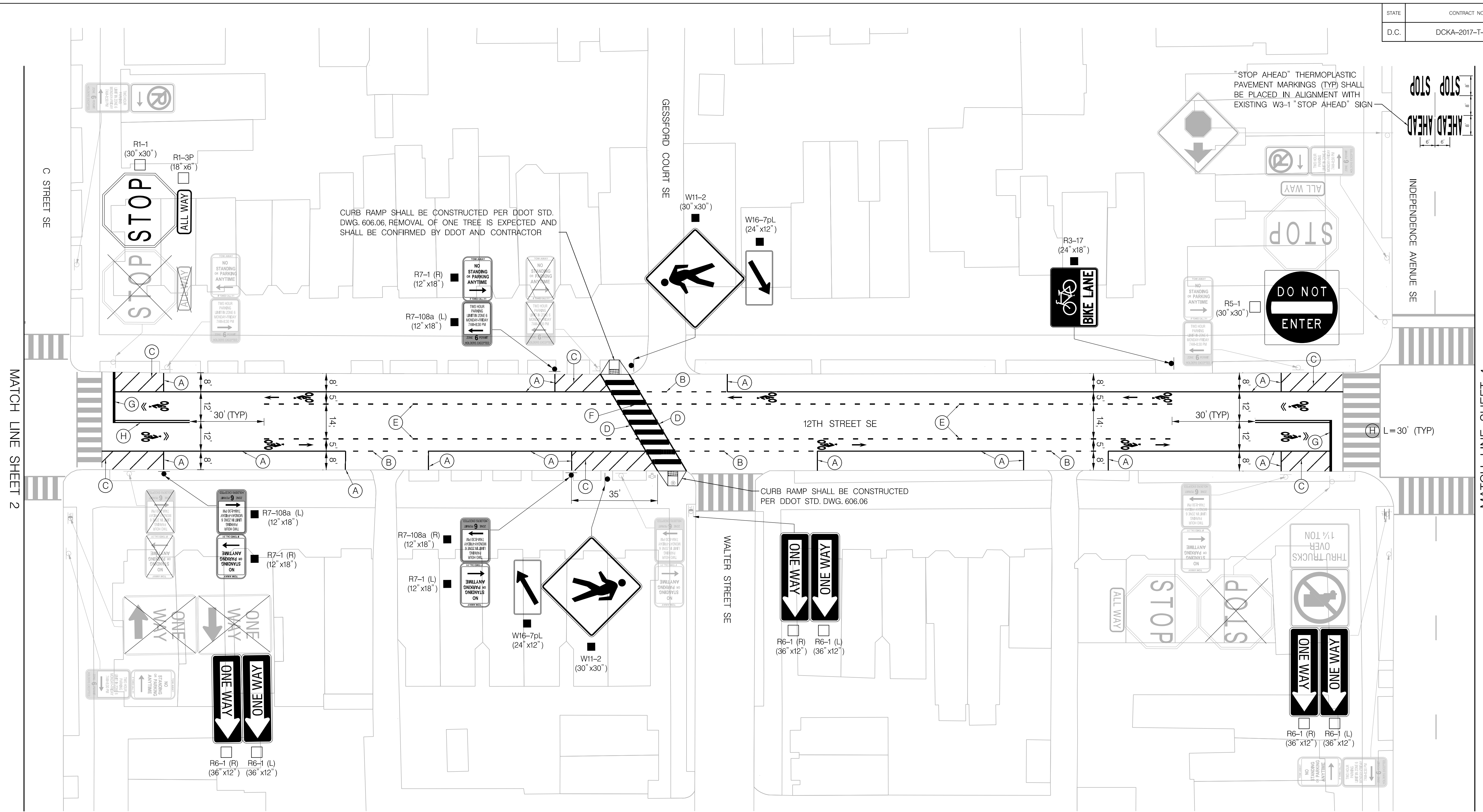
NO.	DESCRIPTION	NAME	DATE

D.C. DEPARTMENT OF TRANSPORTATION
 PLANNING, AND SUSTAINABILITY DIVISION
 ACTIVE TRANSPORTATION PROGRAM

12th STREET SE
 (LOCATION: E ST SE TO
 EAST CAPITOL ST SE)

ADVISORY BIKE LANE LAYOUT PLANS
 (SHEET 2 OF 4)

PROJECT ENG. <u> </u> DAG DESIGNED BY <u> </u> DAG CHECKED BY <u> </u> DAG DRAWN BY <u> </u> DAG PROJECT MGR. <u> </u> DLL	DIVISION CHIEF
DATE <u> </u> October 06, 2021 FILE <u> </u> btl_12th_st_se.dgn SHEET <u> </u> 6 OF 8	



CURB RAMP SHALL BE CONSTRUCTED PER DDOT STD. DWG. 606.06. REMOVAL OF ONE TREE IS EXPECTED AND SHALL BE CONFIRMED BY DDOT AND CONTRACTOR

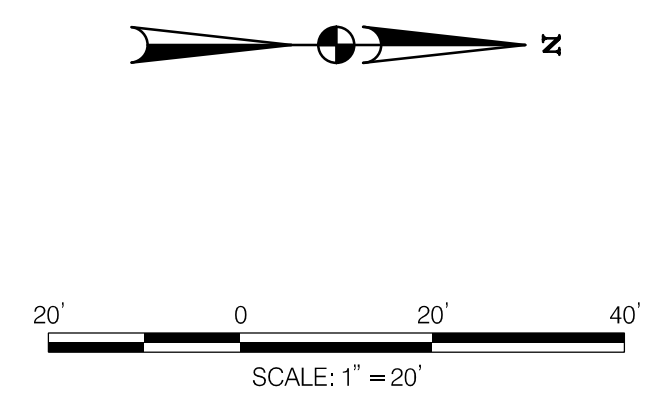
CURB RAMP SHALL BE CONSTRUCTED PER DDOT STD. DWG. 606.06

"STOP AHEAD" THERMOPLASTIC PAVEMENT MARKINGS (TYP) SHALL BE PLACED IN ALIGNMENT WITH EXISTING W3-1 "STOP AHEAD" SIGN

SIGNING & PAVEMENT MARKINGS LEGEND

- (A) 4 INCH SOLID WHITE THERMOPLASTIC PAVEMENT MARKINGS
- (B) 4 INCH DASHED WHITE THERMOPLASTIC PAVEMENT MARKINGS (2' STRIPE, 4' SKIP)
- (C) 4 INCH SOLID WHITE THERMOPLASTIC PAVEMENT MARKINGS, ANGLED 45 DEG TO EDGELINE, SPACED 5' O.C.
- (D) 6 INCH SOLID WHITE THERMOPLASTIC PAVEMENT MARKINGS
- (E) 6 INCH DASHED WHITE THERMOPLASTIC PAVEMENT MARKINGS (2' STRIPE, 4' SKIP)
- (F) 24 INCH WHITE THERMOPLASTIC PAVEMENT MARKINGS, SPACED 2' O.C.
- (G) 12 INCH WHITE THERMOPLASTIC PAVEMENT MARKINGS
- (H) 4 INCH DOUBLE SOLID YELLOW THERMOPLASTIC PAVEMENT MARKINGS
- (I) STANDARD SPEED HUMP CHEVRON MARKINGS

- ↑ BIKE LANE SYMBOL THERMOPLASTIC PAVEMENT MARKINGS
- ↔ SHARED LANE SYMBOL THERMOPLASTIC PAVEMENT MARKINGS
- NEW SIGN TO BE INSTALLED ON NEW POST
- NEW SIGN TO BE INSTALLED ON EXISTING POST OR EX. SIGNAL/LIGHT POLE
- R.E. REMOVE EXISTING MARKING



NOTE:

1. STRIPING FOR PARKING LIMITS SHALL MATCH EXISTING SIGNING, UNLESS NOTED OTHERWISE.



NO.	DESCRIPTION	NAME	DATE

D.C. DEPARTMENT OF TRANSPORTATION
PLANNING, AND SUSTAINABILITY DIVISION
ACTIVE TRANSPORTATION PROGRAM

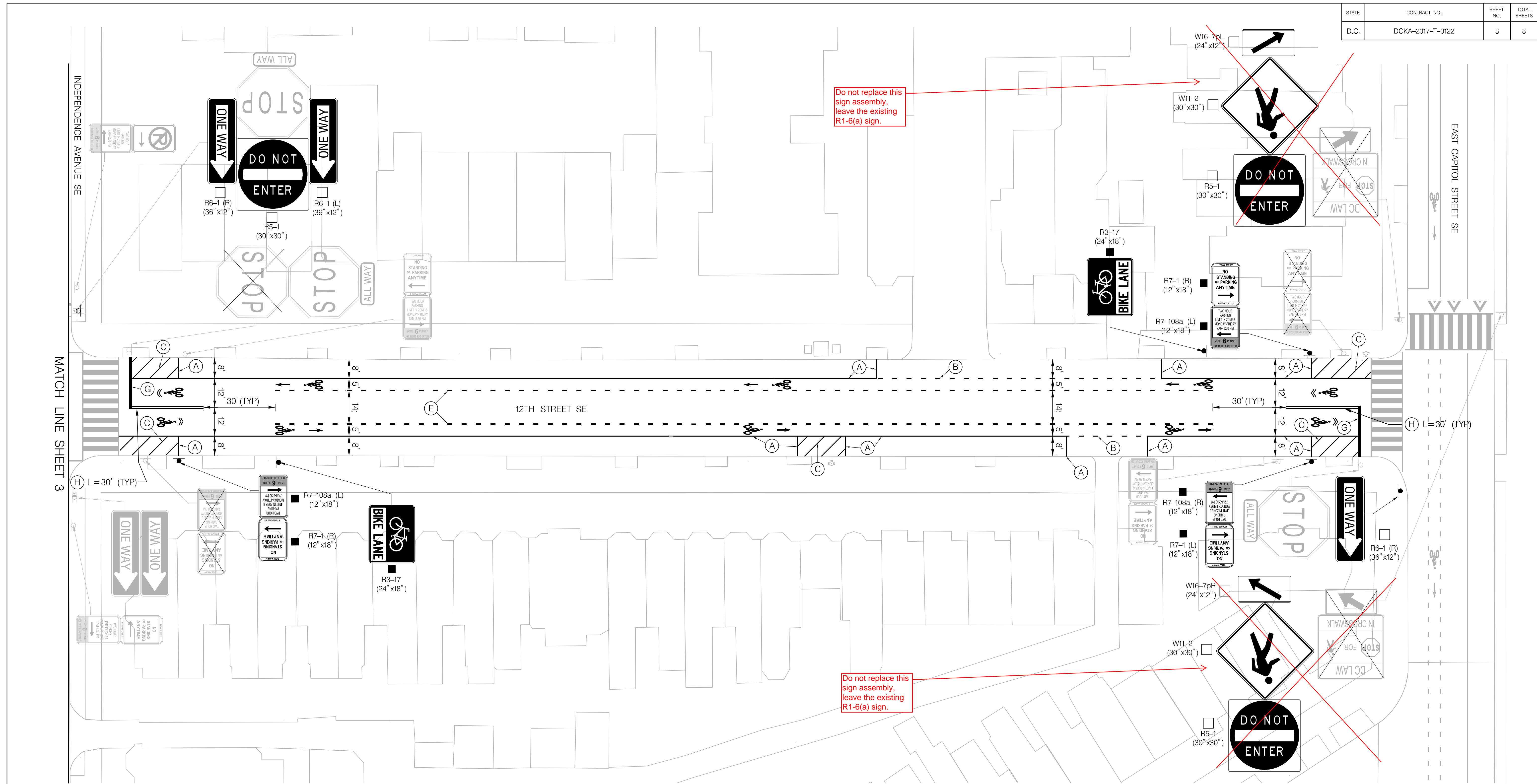
12th STREET SE
(LOCATION: E ST SE TO
EAST CAPITOL ST SE)

ADVISORY BIKE LANE LAYOUT PLANS
(SHEET 3 OF 4)

PROJECT ENG. <u> </u> DAG	DESIGNED BY <u> </u> DAG
CHECKED BY <u> </u> DLL	DRAWN BY <u> </u> DAG
PROJECT MGR. <u> </u> DLL	DIVISION CHIEF
DATE <u> </u> October 06, 2021	FILE <u> </u> btl_12th_st_se.dgn
SHEET <u> </u> 7	OF <u> </u> 8

MATCH LINE SHEET 2

MATCH LINE SHEET 4

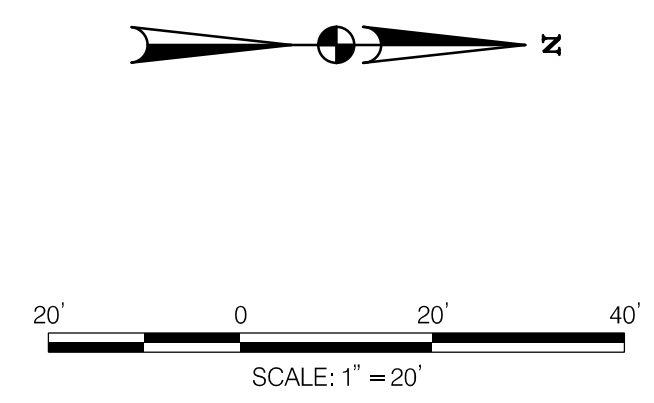


Do not replace this sign assembly, leave the existing R1-6(a) sign.

Do not replace this sign assembly, leave the existing R1-6(a) sign.

SIGNING & PAVEMENT MARKINGS LEGEND

- | | |
|---|---|
| (A) 4 INCH SOLID WHITE THERMOPLASTIC PAVEMENT MARKINGS | BIKE LANE SYMBOL THERMOPLASTIC PAVEMENT MARKINGS |
| (B) 4 INCH DASHED WHITE THERMOPLASTIC PAVEMENT MARKINGS (2' STRIPE, 4' SKIP) | SHARED LANE SYMBOL THERMOPLASTIC PAVEMENT MARKINGS |
| (C) 4 INCH SOLID WHITE THERMOPLASTIC PAVEMENT MARKINGS, ANGLED 45 DEG TO EDGELINE, SPACED 5' O.C. | NEW SIGN TO BE INSTALLED ON NEW POST |
| (D) 6 INCH SOLID WHITE THERMOPLASTIC PAVEMENT MARKINGS | NEW SIGN TO BE INSTALLED ON EXISTING POST OR EX. SIGNAL /LIGHT POLE |
| (E) 6 INCH DASHED WHITE THERMOPLASTIC PAVEMENT MARKINGS (2' STRIPE, 4' SKIP) | R.E. REMOVE EXISTING MARKING |
| (F) 24 INCH WHITE THERMOPLASTIC PAVEMENT MARKINGS, SPACED 2' O.C. | |
| (G) 12 INCH WHITE THERMOPLASTIC PAVEMENT MARKINGS | |
| (H) 4 INCH DOUBLE SOLID YELLOW THERMOPLASTIC PAVEMENT MARKINGS | |
| (I) STANDARD SPEED HUMP CHEVRON MARKINGS | |



NOTE:

1. STRIPING FOR PARKING LIMITS SHALL MATCH EXISTING SIGNING, UNLESS NOTED OTHERWISE.



NO.	DESCRIPTION	NAME	DATE

D.C. DEPARTMENT OF TRANSPORTATION
 PLANNING, AND SUSTAINABILITY DIVISION
 ACTIVE TRANSPORTATION PROGRAM

12th STREET SE
 (LOCATION: E ST SE TO
 EAST CAPITOL ST SE)

ADVISORY BIKE LANE LAYOUT PLANS
 (SHEET 4 OF 4)

PROJECT ENG. <u>DAG</u>	DIVISION CHIEF
DESIGNED BY <u>DAG</u>	DATE <u>October 06, 2021</u>
CHECKED BY <u>DLL</u>	FILE <u>btl_12th_st_06.dgn</u>
DRAWN BY <u>DAG</u>	SHEET <u>8</u> OF <u>8</u>
PROJECT MGR. <u>DLL</u>	